

# JVC

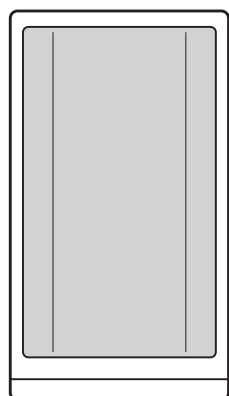
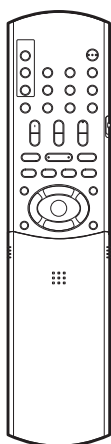
## SERVICE MANUAL

### COMPACT COMPONENT SYSTEM

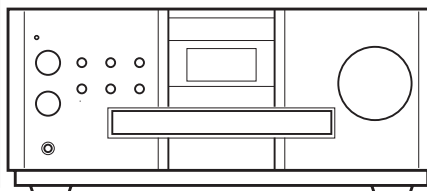
## EX-A5

#### Area suffix

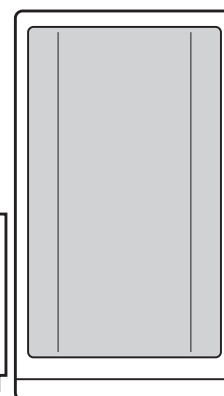
B ----- U.K.  
E ----- Continental Europe  
EN ----- Northern Europe  
EV ----- Eastern Europe  
EE ----- Russian Federation



(SP-EXA5)



(CA-EXA5)



(SP-EXA5)



### TABLE OF CONTENTS

1	PRECAUTION .....	1-3
2	SPECIFIC SERVICE INSTRUCTIONS .....	1-7
3	DISASSEMBLY .....	1-8
4	ADJUSTMENT .....	1-23
5	TROUBLESHOOTING .....	1-27

# SPECIFICATION

## CA-EXA5

General	Power source		AC 230 V , 50 Hz
	Power consumption		24 W (in operation) 1 W (on standby)
	Weight		3.0 kg
	External dimensions (W × H × D)		232 mm × 100 mm × 269 mm
DVD player	Playable discs		DVD VIDEO, DVD AUDIO, VCD, Super VCD, CD, CD-R/RW (CD, VCD, MP3, JPEG format), DVD-R/RW (video format)
Video output	Color system		PAL
	Horizontal resolution		500 lines
	SCART connector × 1		
Audio output	Analog sound output	Speakers × 2	60 W (30W + 30 W) at 4 Ω (10% THD)
		Output power (IEC 268-3)	Fitting impedance: 4 Ω to 16 Ω
		Headphones × 1	11 mW/32 Ω
		Fitting impedance	16 Ω to 1 kΩ
		Subwoofer × 1	500 mVrms/10 kΩ
	Digital sound output	Optical × 1	-21 dBm to -15 dBm
Other output			AV COMPU LINK × 2 (Ø3.5)
Audio input	Sound input		AUX × 1
	Level 1		250 mV/50 kΩ
	Level 2		500 mV/50 kΩ
Tuner	FM tuner	Receiving frequency	87.50 MHz to 108.00 MHz
		Antenna	75 Ω - unbalanced type
	AM tuner	Receiving frequency	522 kHz to 1629 kHz
		Antenna	External antenna jack (loop antenna)

## SP-EXA5

Type	2-way bass-reflex type Magnetically shielded type
Woofer	10.5 cm wood cone
Tweeter	2 cm wood cone
Power handling capacity	100 W
Impedance	4Ω
Crossover frequency	3.5 kHz
Sound pressure level	80.5 dB/W m
Dimension (W × H × D)	143 mm × 257 mm × 243 mm
Weight (1 unit)	3.5 kg

Designs and Specifications are subject to change without notice.

# SECTION 1 PRECAUTION

## 1.1 Safety Precautions

- (1) This design of this product contains special hardware and many circuits and components specially for safety purposes. For continued protection, no changes should be made to the original design unless authorized in writing by the manufacturer. Replacement parts must be identical to those used in the original circuits. Services should be performed by qualified personnel only.
- (2) Alterations of the design or circuitry of the product should not be made. Any design alterations of the product should not be made. Any design alterations or additions will void the manufacturer's warranty and will further relieve the manufacturer of responsibility for personal injury or property damage resulting therefrom.
- (3) Many electrical and mechanical parts in the products have special safety-related characteristics. These characteristics are often not evident from visual inspection nor can the protection afforded by them necessarily be obtained by using replacement components rated for higher voltage, wattage, etc. Replacement parts which have these special safety characteristics are identified in the Parts List of Service Manual. Electrical components having such features are identified by shading on the schematics and by ( $\Delta$ ) on the Parts List in the Service Manual. The use of a substitute replacement which does not have the same safety characteristics as the recommended replacement parts shown in the Parts List of Service Manual may create shock, fire, or other hazards.
- (4) The leads in the products are routed and dressed with ties, clamps, tubings, barriers and the like to be separated from live parts, high temperature parts, moving parts and/or sharp edges for the prevention of electric shock and fire hazard. When service is required, the original lead routing and dress should be observed, and it should be confirmed that they have been returned to normal, after reassembling.

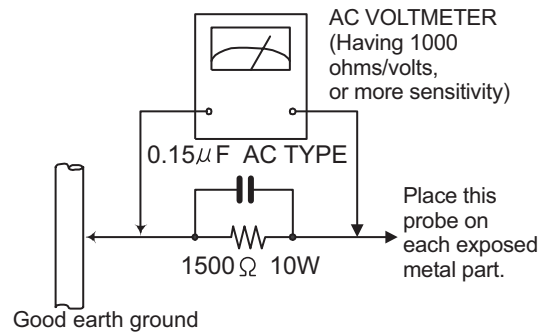
### (5) Leakage shock hazard testing

After reassembling the product, always perform an isolation check on the exposed metal parts of the product (antenna terminals, knobs, metal cabinet, screw heads, headphone jack, control shafts, etc.) to be sure the product is safe to operate without danger of electrical shock. Do not use a line isolation transformer during this check.

- Plug the AC line cord directly into the AC outlet. Using a "Leakage Current Tester", measure the leakage current from each exposed metal part of the cabinet, particularly any exposed metal part having a return path to the chassis, to a known good earth ground. Any leakage current must not exceed 0.5mA AC (r.m.s.).
- Alternate check method  
Plug the AC line cord directly into the AC outlet. Use an AC voltmeter having, 1,000 $\Omega$  per volt or more sensitivity in the following manner. Connect a 1,500 $\Omega$  10W resistor paralleled by a 0.15 $\mu$ F AC-type capacitor between an exposed metal part and a known good earth ground. Measure the AC voltage across the resistor with the AC

voltmeter.

Move the resistor connection to each exposed metal part, particularly any exposed metal part having a return path to the chassis, and measure the AC voltage across the resistor. Now, reverse the plug in the AC outlet and repeat each measurement. Voltage measured any must not exceed 0.75 V AC (r.m.s.). This corresponds to 0.5 mA AC (r.m.s.).



## 1.2 Warning

- (1) This equipment has been designed and manufactured to meet international safety standards.
- (2) It is the legal responsibility of the repairer to ensure that these safety standards are maintained.
- (3) Repairs must be made in accordance with the relevant safety standards.
- (4) It is essential that safety critical components are replaced by approved parts.
- (5) If mains voltage selector is provided, check setting for local voltage.

## 1.3 Caution

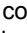
**Burrs formed during molding may be left over on some parts of the chassis.**

**Therefore, pay attention to such burrs in the case of pre-forming repair of this system.**

## 1.4 Critical parts for safety

In regard with component parts appearing on the silk-screen printed side (parts side) of the PWB diagrams, the parts that are printed over with black such as the resistor (■), diode (■) and ICP (●) or identified by the " $\Delta$ " mark nearby are critical for safety. When replacing them, be sure to use the parts of the same type and rating as specified by the manufacturer. (This regulation does not Except the J and C version)

## 1.5 Safety Precautions (U.K only)

- (1) This design of this product contains special hardware and many circuits and components specially for safety purposes. For continued protection, no changes should be made to the original design unless authorized in writing by the manufacturer. Replacement parts must be identical to those used in the original circuits.
- (2) Any unauthorised design alterations or additions will void the manufacturer's guarantee; furthermore the manufacturer cannot accept responsibility for personal injury or property damage resulting therefrom.
- (3) Essential safety critical components are identified by (  ) on the Parts List and by shading on the schematics, and must never be replaced by parts other than those listed in the manual. Please note however that many electrical and mechanical parts in the product have special safety related characteristics. These characteristics are often not evident from visual inspection. Parts other than specified by the manufacturer may not have the same safety characteristics as the recommended replacement parts shown in the Parts List of the Service Manual and may create shock, fire, or other hazards.
- (4) The leads in the products are routed and dressed with ties, clamps, tubings, barriers and the like to be separated from live parts, high temperature parts, moving parts and/or sharp edges for the prevention of electric shock and fire hazard. When service is required, the original lead routing and dress should be observed, and it should be confirmed that they have been returned to normal, after re-assembling.

### 1.5.1 Warning

- (1) Service should be performed by qualified personnel only.
- (2) This equipment has been designed and manufactured to meet international safety standards.
- (3) It is the legal responsibility of the repairer to ensure that these safety standards are maintained.
- (4) Repairs must be made in accordance with the relevant safety standards.
- (5) It is essential that safety critical components are replaced by approved parts.
- (6) If mains voltage selector is provided, check setting for local voltage.



**CAUTION** Burrs formed during molding may be left over on some parts of the chassis. Therefore, pay attention to such burrs in the case of preforming repair of this system.

## 1.6 Preventing static electricity

Electrostatic discharge (ESD), which occurs when static electricity stored in the body, fabric, etc. is discharged, can destroy the laser diode in the traverse unit (optical pickup). Take care to prevent this when performing repairs.

### 1.6.1 Grounding to prevent damage by static electricity

Static electricity in the work area can destroy the optical pickup (laser diode) in devices such as laser products.

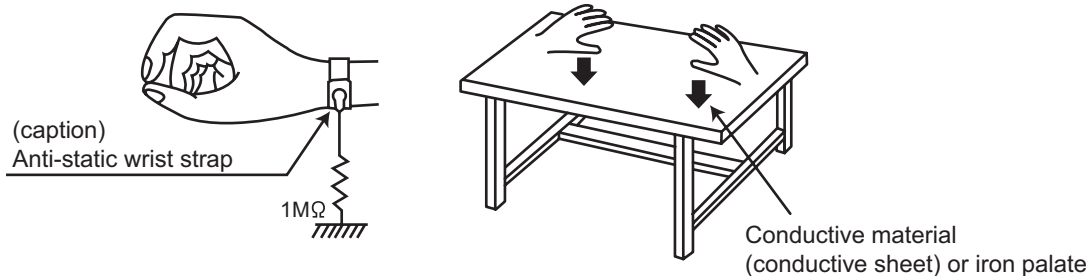
Be careful to use proper grounding in the area where repairs are being performed.

(1) Ground the workbench

Ground the workbench by laying conductive material (such as a conductive sheet) or an iron plate over it before placing the traverse unit (optical pickup) on it.

(2) Ground yourself

Use an anti-static wrist strap to release any static electricity built up in your body.



(3) Handling the optical pickup

- In order to maintain quality during transport and before installation, both sides of the laser diode on the replacement optical pickup are shorted. After replacement, return the shorted parts to their original condition. (Refer to the text.)
- Do not use a tester to check the condition of the laser diode in the optical pickup. The tester's internal power source can easily destroy the laser diode.

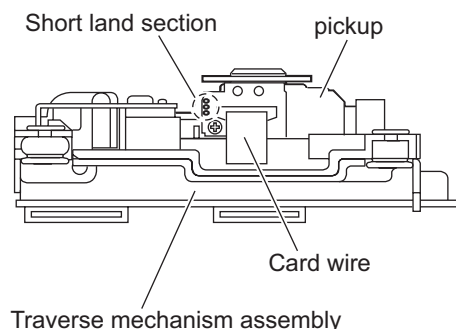
## 1.7 Handling the traverse unit (optical pickup)

- (1) Do not subject the traverse unit (optical pickup) to strong shocks, as it is a sensitive, complex unit.
- (2) Cut off the shorted part of the flexible cable using nippers, etc. after replacing the optical pickup. For specific details, refer to the replacement procedure in the text. Remove the anti-static pin when replacing the traverse unit. Be careful not to take too long a time when attaching it to the connector.
- (3) Handle the flexible cable carefully as it may break when subjected to strong force.
- (4) It is not possible to adjust the semi-fixed resistor that adjusts the laser power. Do not turn it.

## 1.8 Attention when traverse unit is decomposed

**\*Please refer to "Disassembly method" in the text for the pickup unit.**

- Apply solder to the short land sections before the flexible wire is disconnected from the connector on the servo board. (If the flexible wire is disconnected without applying solder, the pickup may be destroyed by static electricity.)
- In the assembly, be sure to remove solder from the short land sections after connecting the flexible wire.



## 1.9 Important for laser products

### 1.CLASS 1 LASER PRODUCT

**2.DANGER** : Invisible laser radiation when open and interlock failed or defeated. Avoid direct exposure to beam.

**3.CAUTION** : There are no serviceable parts inside the Laser Unit. Do not disassemble the Laser Unit. Replace the complete Laser Unit if it malfunctions.

**4.CAUTION** : The CD,MD and DVD player uses invisible laser radiation and is equipped with safety switches which prevent emission of radiation when the drawer is open and the safety interlocks have failed or are defeated. It is dangerous to defeat the safety switches.

**5.CAUTION** : If safety switches malfunction, the laser is able to function.

**6.CAUTION** : Use of controls, adjustments or performance of procedures other than those specified here in may result in hazardous radiation exposure.



**CAUTION** Please use enough caution not to see the beam directly or touch it in case of an adjustment or operation check.

**CAUTION** : Visible and invisible laser radiation when open and interlock failed or defeated.

AVOID DIRECT EXPOSURE TO BEAM.

**ADVARSEL** : Synlig og usynlig laserstråling når maskinen er åben eller interlocken fejler. Undgå direkte eksponering til stråling.

**VARNING** : Synlig och osynlig laserstråling när den öppnas och spärren är urkopplad. Betrakta ej strålen.

**VARO** : Avattaessa ja suojalukitus ohitettuna tai viallisena olet alttiina näkyvälle ja näkymättömälle lasersäteilylle. Vältä säteen kohdistumista suoraan itseesi.

## REPRODUCTION AND POSITION OF LABELS

### WARNING LABEL

<b>CAUTION</b> : Visible and invisible laser radiation when open and interlock failed or defeated. AVOID DIRECT EXPOSURE TO BEAM. (e)	<b>ADVARSEL</b> : Synlig og usynlig laserstråling når maskinen er åben eller interlocken fejler. Undgå direkte eksponering til stråling. (d)	<b>VARNING</b> : Synlig och osynlig laserstråling när den öppnas och spärren är urkopplad. Betrakta ej strålen. (s)	<b>VARO</b> : Avattaessa ja suojalukitus ohitettuna tai viallisena olet alttiina näkyvälle ja näkymättömälle lasersäteilylle. Vältä säteen kohdistumista suoraan itseesi. (f)
---	--	---	---



<b>CAUTION</b> : Visible and invisible laser radiation when open and interlock failed or defeated. AVOID DIRECT EXPOSURE TO BEAM. (e)	<b>VARO</b> : Avattaessa ja suojalukitus ohitettuna tai viallisena olet alttiina näkyvälle ja näkymättömälle lasersäteilylle. Vältä säteen kohdistumista suoraan itseesi. (f)
<b>VARNING</b> : Synlig och osynlig laserstråling när den öppnas och spärren är urkopplad. Betrakta ej strålen. (s)	<b>ADVARSEL</b> : Synlig og usynlig laserstråling når maskinen er åben eller interlocken fejler. Undgå direkte eksponering til stråling. (d)

**SECTION 2**  
**SPECIFIC SERVICE INSTRUCTIONS**

This service manual does not describe SPECIFIC SERVICE INSTRUCTIONS.

## SECTION 3 DISASSEMBLY

### 3.1 Main body section

#### 3.1.1 Removing the top cover (See Fig.1)

- (1) From the top side of the main body, remove the four screws **A** attaching the top cover.

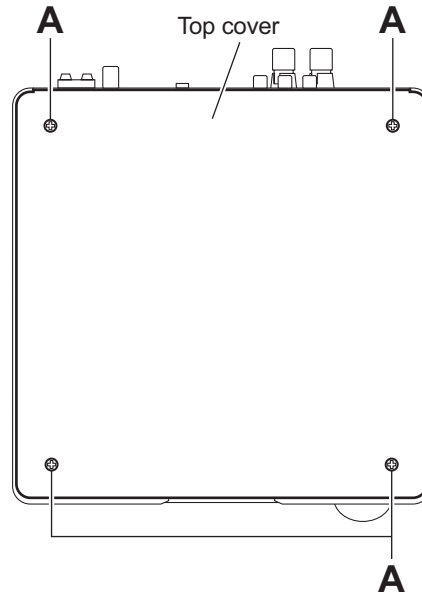


Fig.1



### 3.1.2 Removing the AL panel L and AL panel R (See Figs.2 to 7.)

- Remove the top cover.
  - Remove the two screws **B**, screw **C** and screw **C'** attaching the bridge A. (See Fig.2.)

**Reference:**

When attaching the screw **C'** attach the lug wire with it. (See Fig.2.)

- Remove the two screws **C** attaching the bridge B. (See Fig.2.)
- Remove the two screws **C'** attaching the bridge C. (See Fig.2.)
- From the back side of the main body, remove the three screws **D** attaching the bridge C. (See Fig.3.)

**Reference:**

When attaching the screws **C'** attach the lug wires with them. (See Fig.2.)

- From the top side of the main body, remove the two screws **E** attaching the AL panel L and AL panel R. (See Fig.4.)
- From the bottom side of the main body, remove the three screws **F** attaching the wood bar. (See Fig.5.)
- Remove the six screws **G** and two screws **H** attaching the AL panel L and AL panel R. (See Fig.6.)
- Remove the AL panel L and AL panel R in the direction of the arrow 2 while extending the back section of the AL panel L and AL panel R in the direction of the arrow 1. (See Fig.7.)

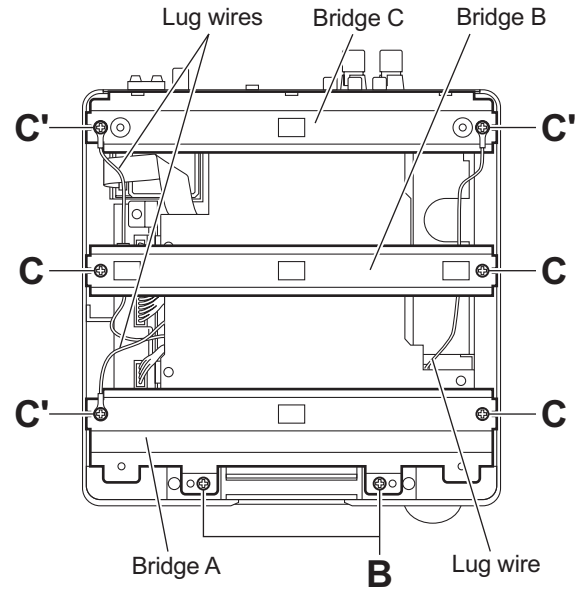


Fig.2

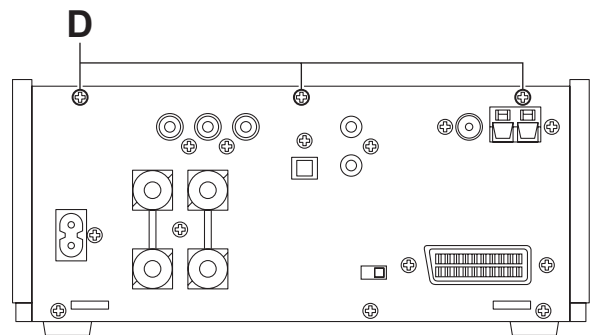


Fig.3

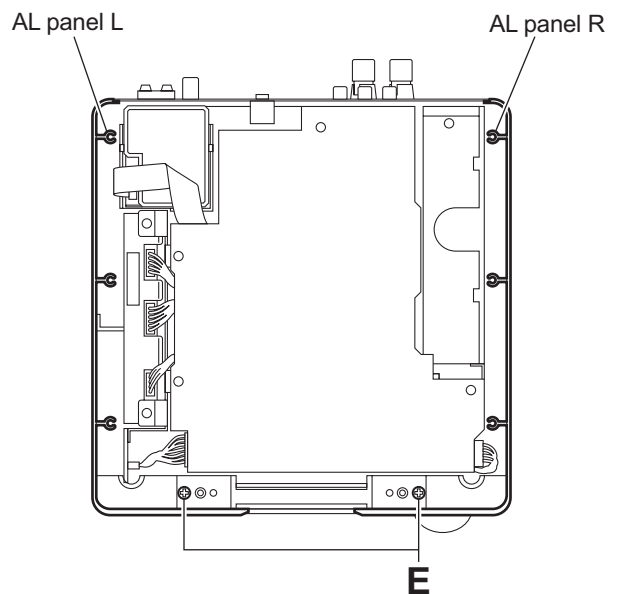


Fig.4

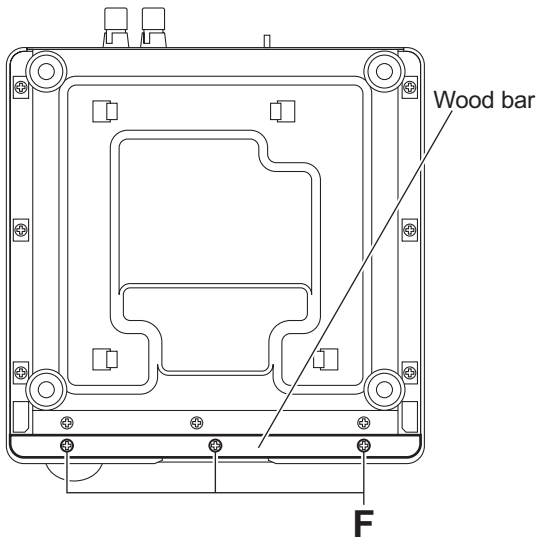


Fig.5

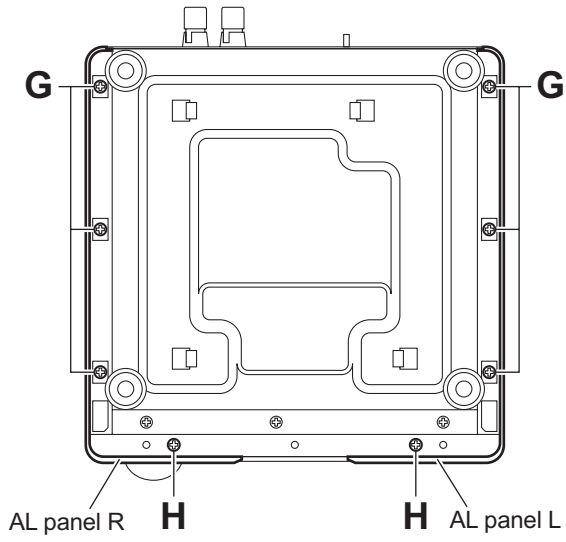


Fig.6

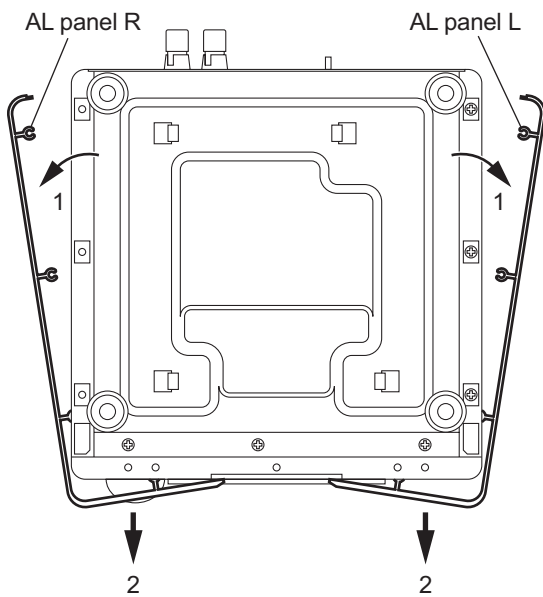


Fig.7

### 3.1.3 Removing the front panel assembly (See Fig.8)

- Remove the top cover, AL panel L and AL panel R.
  - Removing the three screws **J** attaching the front panel assembly. (See Fig.8.)
  - Release the claws **a** attaching the front panel assembly and remove the front panel assembly in the direction of the arrow. (See Fig.8.)

#### Note:

When attaching the front panel assembly, confirm that the connector [CN804](#) on the front board is disconnected in the connector [CN704](#) on the micom board certainly.

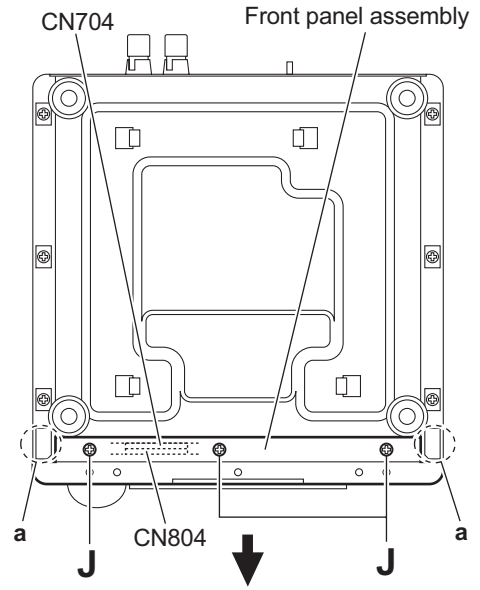


Fig.8

### 3.1.4 Removing the rear panel (See Fig.9.)

From the back side of the main body, remove the fifteen screws **K** and screw **L** attaching the rear panel.

### 3.1.5 Removing the switching power unit (See Figs.9 and 10)

- Remove the top cover, AL panel L and AL panel R.
  - From the back side of the main body, remove the screw **L** attaching the switching power unit. (See Fig.9.)
  - From the right side of the main body, disconnect the wire from the connector [CN201](#) on the main board. (See Fig.10.)
  - Remove the screw **M** attaching the switching power unit. (See Fig.10.)
  - From the top side of the switching power unit, remove the spacer fixing the lug wire. (See Fig.10.)
  - Take out the switching power unit from the main body in the direction of the arrow. (See Fig.10.)

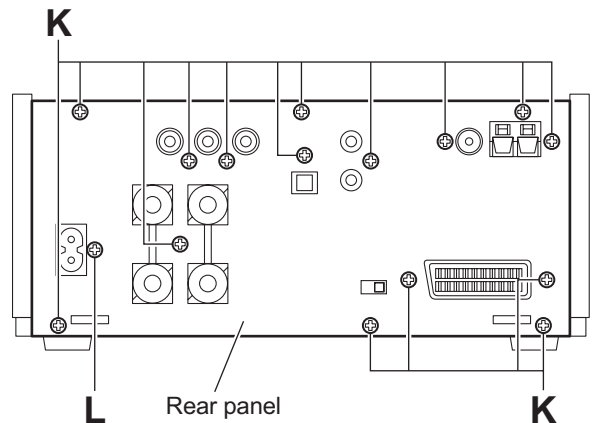


Fig.9

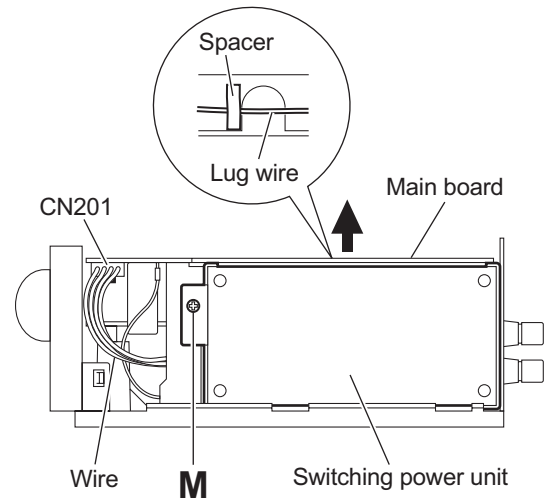


Fig.10

### 3.1.6 Removing the tuner (See Figs.11 and 12)

- Remove the top cover and rear panel.
  - From the top side of the main body, remove the two screws **N** attaching the bridge C. (See Fig.11.)

**Reference:**

When attaching the screws **N**, attach the lug wires with them. (See Fig.11.)

- Release the claws **b** of the tuner holder and take out the tuner from the main body. (See Fig.12.)
- Disconnect the card wire from the connector **CN1** on the tuner. (See Fig.12.)

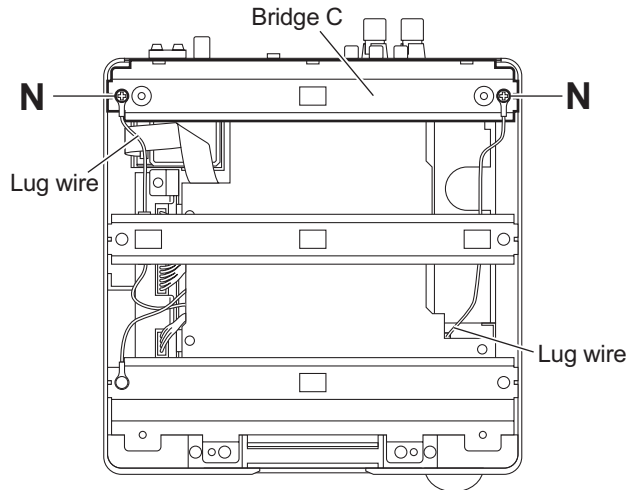


Fig.11

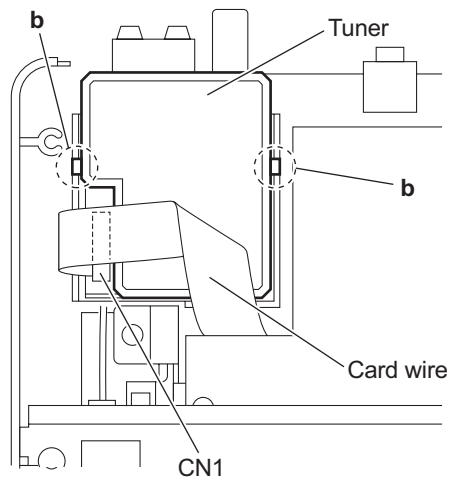


Fig.12

### 3.1.7 Removing the headphone board (See Fig.13)

- Remove the top cover, AL panel L, AL panel R and front panel assembly.
  - From the left side of the main body, disconnect the wire from the connector **CN401** on the main board.
  - Remove the screw **P** attaching the headphone board.
  - Remove the engagement section **c** toward this side, remove the headphone board from the joint **d** in the direction of the arrow.

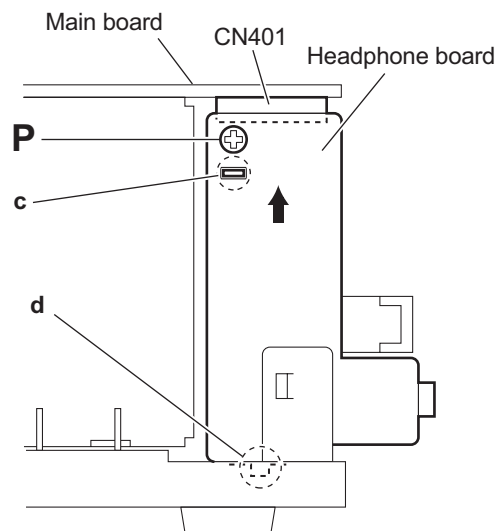


Fig.13

### 3.1.8 Removing the main board (See Figs.14 and 15)

- Remove the top cover, AL panel L, AL panel R, rear panel and switching power unit.

#### Reference:

Remove the front panel assembly as required.

- From the top side of the main body, disconnect the card wires from the connectors (CN202 and CN204) on the main board. (See Fig.14.)
- Disconnect the wires from the connectors (CN205 and CN401) on the main board. (See Fig.14.)
- Disconnect the wire from the connector CN706 on the micom board. (See Fig.14.)
- Disconnect the wires from the connectors (CN310 and CN312) on the digital amplifier board assembly. (See Fig.14.)
- Remove the screw **Q** attaching the lug wire to the bracket A. (See Fig.14.)
- Disconnect the lug wire from TP201 on the main board. (See Fig.14.)
- Remove the spacer fixing the lug wire. (See Fig.15.)
- Remove the four screws **R** attaching the main board and remove the main board from the main body. (See Fig.15.)

#### Reference:

When attaching the main board, attach the screws **R** after fitting the holes of the main board to the joints **e** and **f** of the main body. (See Fig.15.)

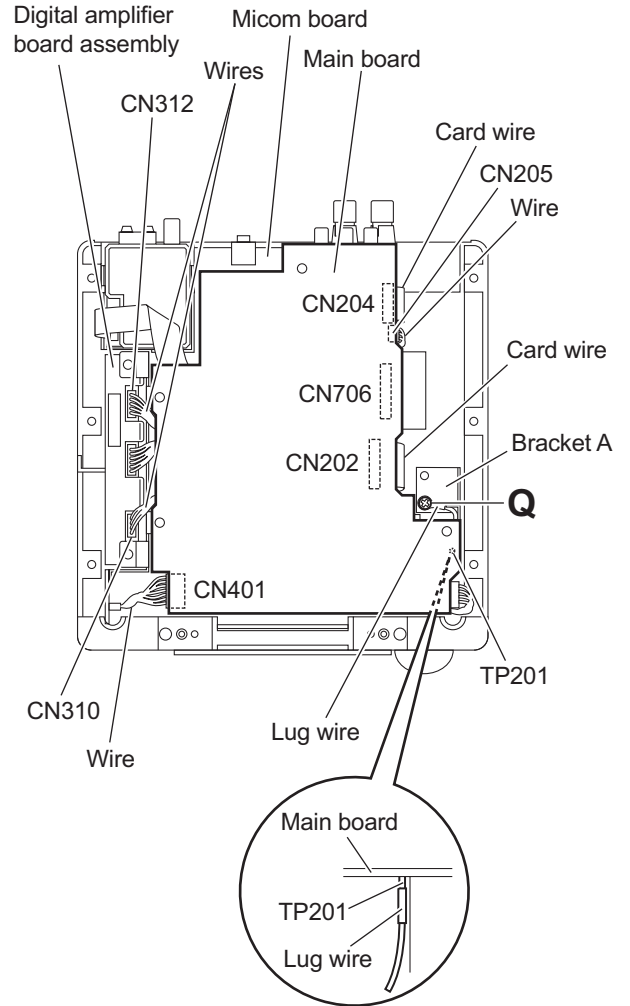


Fig.14

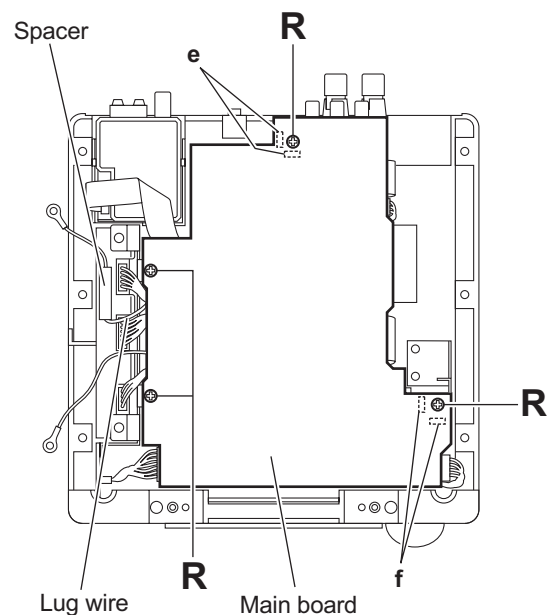


Fig.15

### 3.1.9 Removing the micom board (See Figs.16 and 17)

- Remove the top cover, AL panel L, AL panel R, front panel assembly, rear panel, switching power unit and main board.

- From the top side of the main body, disconnect the card wires from the connectors (CN631 and CN701) on the micom board. (See Fig.16.)
- Disconnect the card wire from the connector CN705 on the micom board and take out the tuner after releasing the claws **g** of the tuner holder. (See Fig.16.)

**Reference:**

Remove the tuner as required.

- Disconnect the wire from the connector CN311 on the digital amplifier board assembly. (See Fig.16.)
- Disconnect the card wire from the connector CN601 on the main board. (See Fig.17.)
- Remove the two screws **S** and screw **S'** attaching the micom board. (See Fig.17.)

**Reference:**

- When attaching the screw **S'**, attach the bracket D with it. (See Fig.17.)
- When attaching the micom board, attach the screw **S** and screw **S'** after fitting the holes of the main board to the joints (**h,i,j,k**) of the main body. (See Fig.17.)

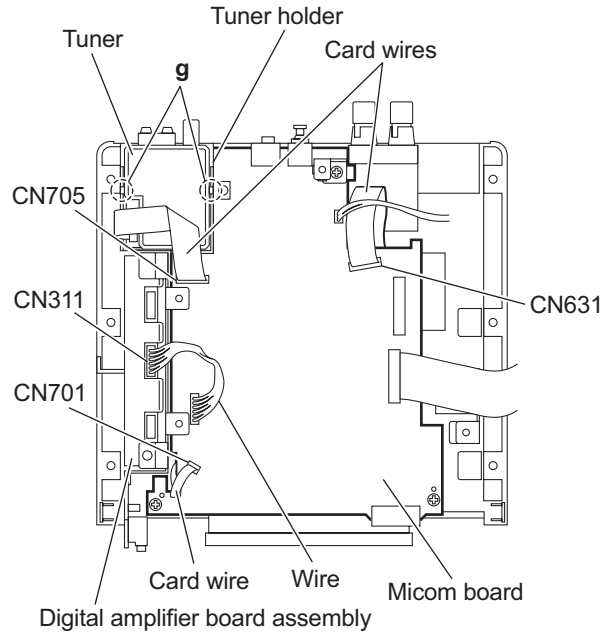


Fig.16

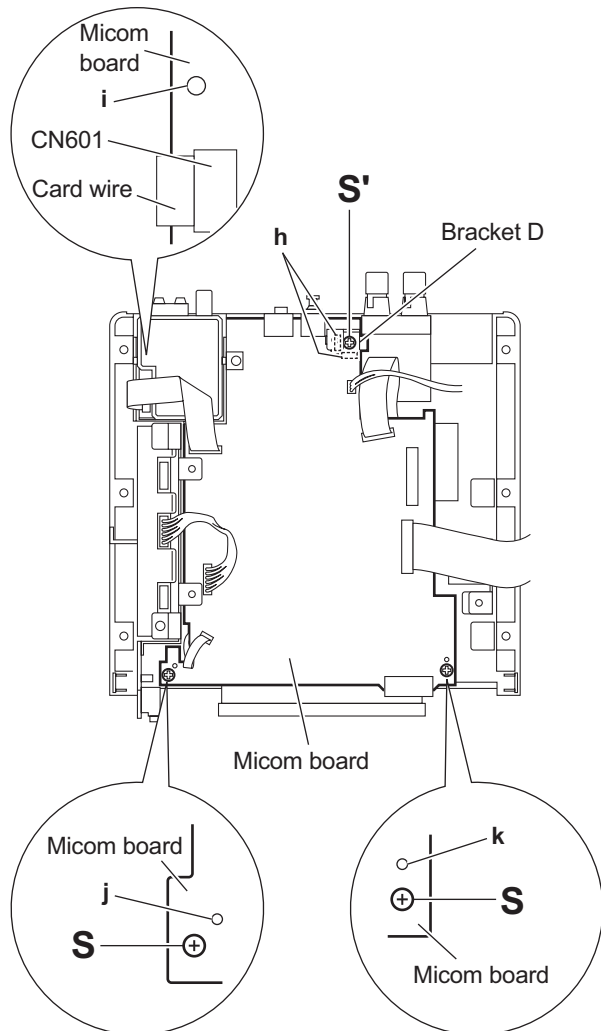


Fig.17

### 3.1.10 Removing the digital amplifier board (See Figs.18 to 20)

- Remove the top cover, AL panel L, AL panel R, front panel assembly, rear panel, switching power unit, main board and mic-com board.

(1) From the back side of the main body, disconnect the wire from the connector [CN313](#) on the digital amplifier board assembly. (See Fig.18.)

**Reference:**

When connecting the wire, connect the wire to connector [CN313](#) on the digital amplifier board assembly after pass it through the section **m** of the side cover L. (See Fig.18.)

(2) From the top side of the main body, remove the two screws **T** and two screws **U** attaching the bracket C. (See Fig.18.)  
 (3) Take out the bracket C with the headphone board from the main body.

**Reference:**

When attaching the bracket C to the bottom chassis, attach it after fitting the holes to the projections **n** of the bottom chassis. (See Fig.18.)

(4) Take out the digital amplifier board assembly.  
 (5) Release the joints (**p,q,r**) of the deus case A and deus case B, and remove the deus case A in the direction of the arrow. (See Fig.19.)  
 (6) Remove the screw **V** attaching the heat sink. (See Fig.20.)  
 (7) Remove the solder from the soldered sections (**s,t**) attaching the digital amplifier board to the deus case B and bend the joints (**u,v**) in the direction of the arrow. (See Fig.20.)  
 (8) Take out the digital amplifier board from the deus case B.

**Reference:**

When attaching the digital amplifier board to the deus case B, fit the joints (**u,v,w,x**) of the deus case B to the holes of the digital amplifier board. (See Fig.20.)

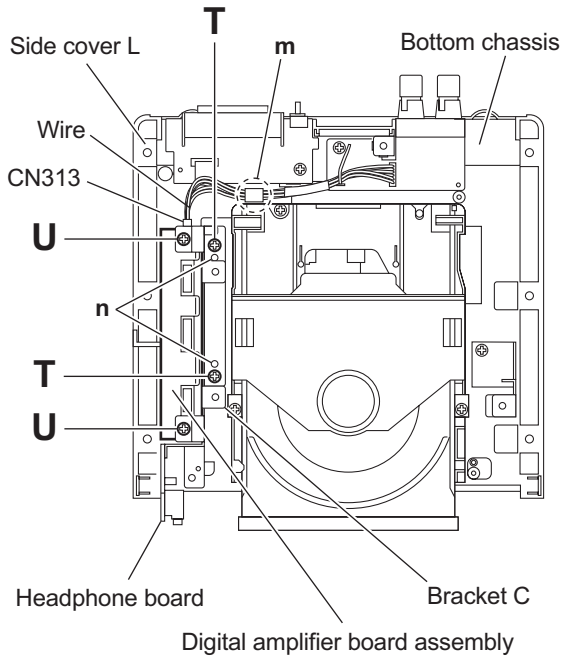


Fig.18

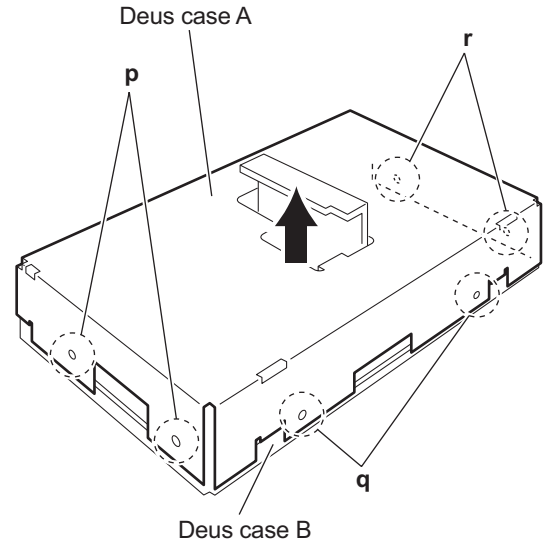


Fig.19

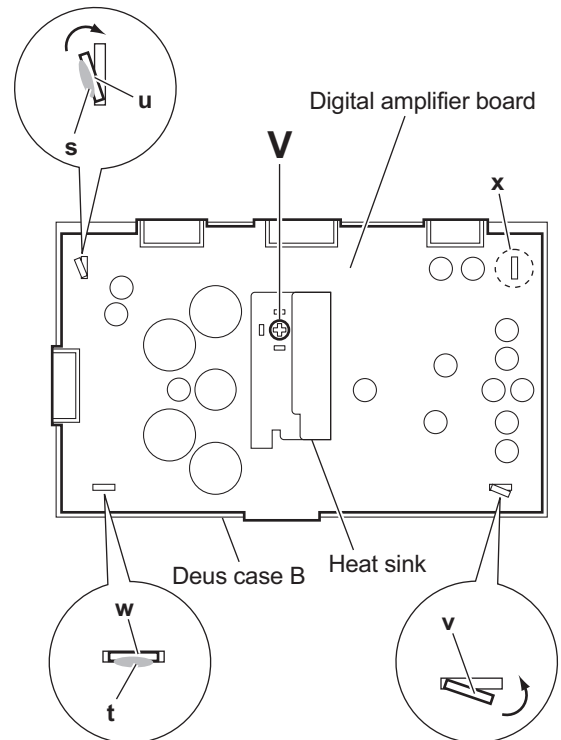


Fig.20

### 3.1.11 Removing the speaker terminal board (See Fig.21.)

- Remove the top cover, AL panel L, AL panel R, front panel assembly, the rear panel, switching power unit, main board and micom board.

(1) From the back side of the main body, disconnect the wire from the connector [CN313](#) on the digital amplifier board assembly.

**Reference:**

When connecting the wire, connect the wire to connector [CN313](#) on the digital amplifier board assembly after pass it through the section **y** of the side cover L. (See Fig.21.)

(2) From the top side of the main body, remove the screw **W** attaching the speaker terminal board.

**Reference:**

When attaching the speaker terminal board, attach the screw **W** after fitting the hole of the speaker terminal board to the joint **z** of the side cover R.

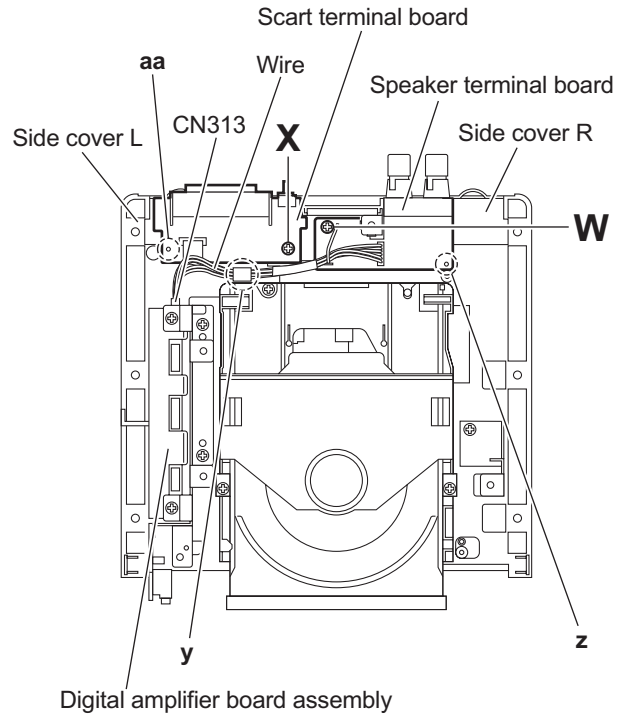


Fig.21

### 3.1.12 Removing the scart terminal board (See Fig.21)

- Remove the top cover, AL panel L, AL panel R, front panel assembly, rear panel, switching power unit, main board and micom board.

From the top side of the main body, remove the screw **X** attaching the scart terminal board.

**Reference:**

When attaching the scart terminal board, attach the screw **X** after fitting the hole of the scart terminal board to the joint **aa** of the side cover L.

### 3.1.13 Removing the DVD mechanism assembly (See Fig.22.)

- Remove the top cover, AL panel L, AL panel R, front panel assembly, rear panel, switching power unit, main board and the micom board.

(1) From the top side of the main body, remove the three screws **Y** attaching the DVD mechanism assembly.

(2) Take out the DVD mechanism assembly from the main body.

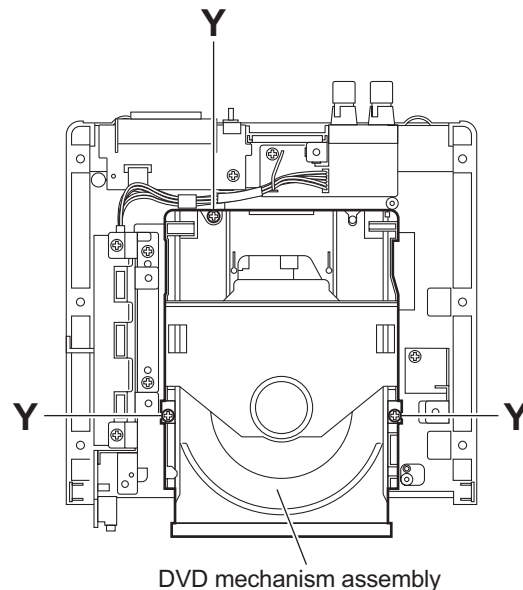


Fig.22



### 3.1.14 Removing the front board (See Figs.23 and 24)

- Remove the top cover, AL panel L, AL panel R and front panel assembly.
  - From the front side of the front panel assembly, pull out the volume assembly in the direction of the arrow. (See Fig.23.)
  - From the inside of the front panel assembly, remove the ten screws **Z** attaching the front board. (See Fig.24.)
  - Release the two claws **ab** of the indicator attaching the front board and take out the front board from the front panel assembly. (See Fig.24.)

#### Reference:

When attaching the front board, attach the screws **Z** after fitting the holes of the front board to the projections **ac** of the front panel assembly. (See Fig.24.)

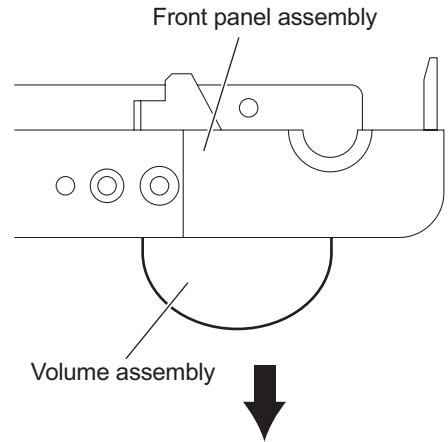


Fig.23

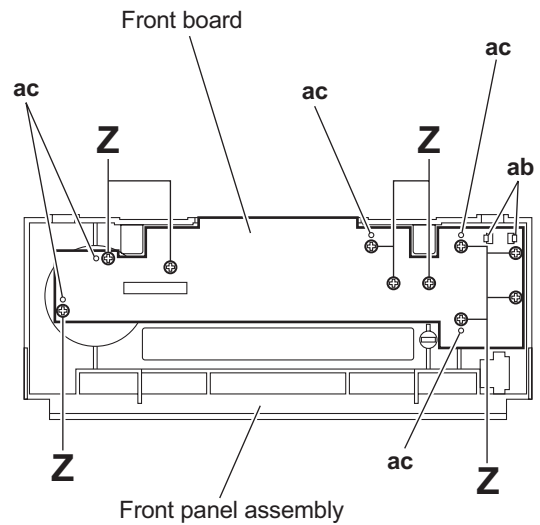


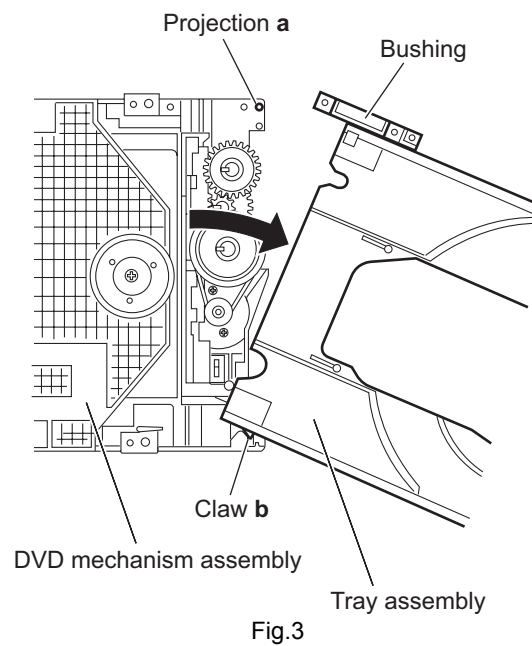
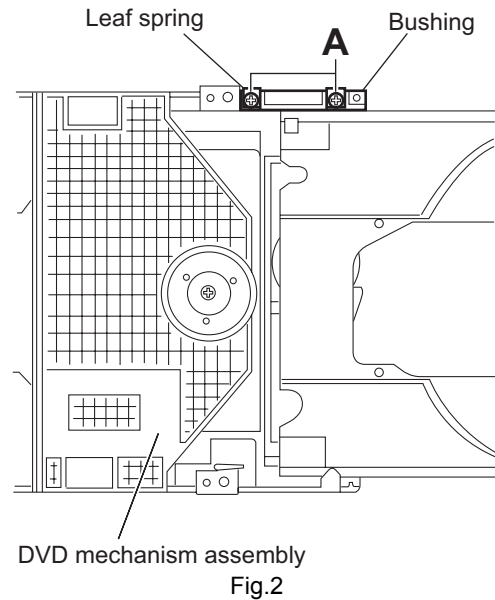
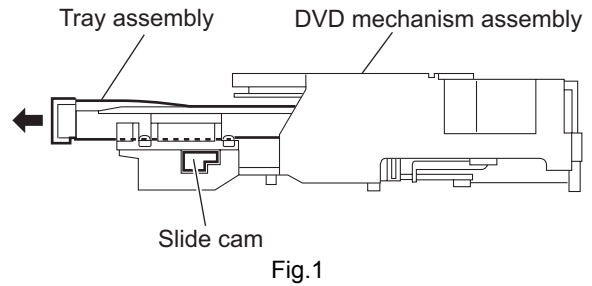
Fig.24

### 3.2 DVD mechanism section

- Remove the DVD mechanism assembly from the main body.  
(See "3.1.13 Removing the DVD mechanism assembly".)

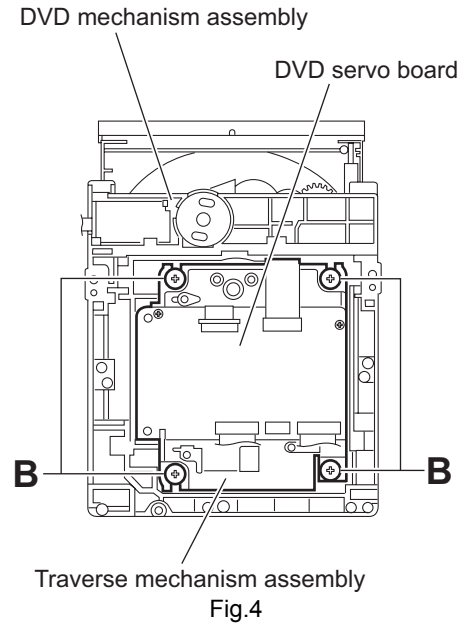
#### 3.2.1 Removing the tray assembly (See Figs.1 to 3)

- (1) From the right side of the DVD mechanism assembly, push the slide cam and pull the tray assembly out of the DVD mechanism assembly in the direction of the arrow. (See Fig.1.)
- (2) From the top side of the DVD mechanism assembly, remove the two screws **A** attaching the leaf spring to the bushing and remove the leaf spring. (See Fig.2.)
- (3) Remove the bushing of the tray assembly from the projection **a** on the DVD mechanism assembly and move the tray assembly in the direction of the arrow. (See Fig.3.)
- (4) Remove the claw **b** of the tray assembly from the DVD mechanism assembly and take out the tray assembly. (See Fig.3.)



### 3.2.2 Removing the traverse mechanism assembly (See Figs.4)

- (1) From the bottom side of the DVD mechanism assembly, remove the four screws **B** attaching the traverse mechanism assembly and take out the DVD traverse mechanism assembly with the DVD servo board.

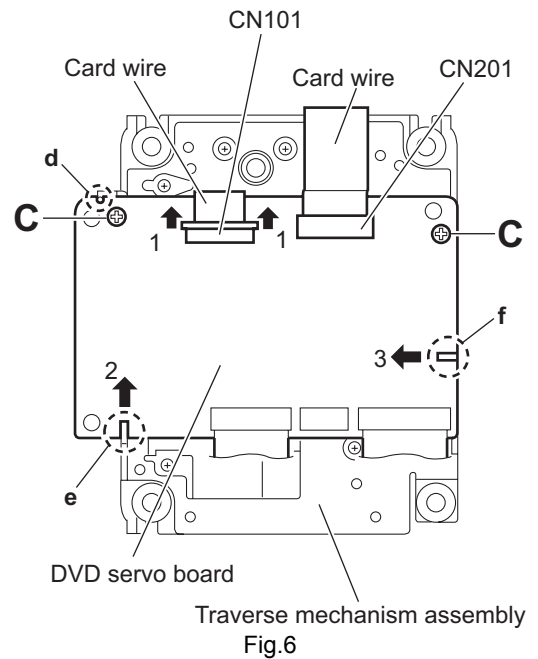
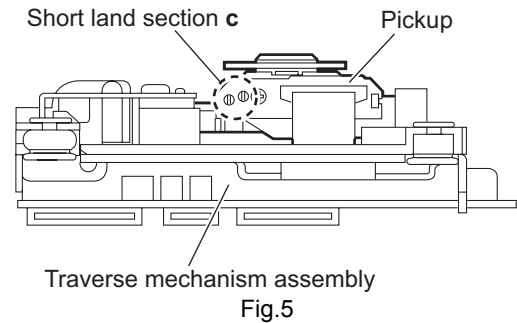


### 3.2.3 Removing the DVD servo board (See Figs.5 and 6)

- Remove the traverse mechanism assembly.
  - (1) From the side of the traverse mechanism assembly, solder the short land sections **c** on the pickup. (See Fig.5.)
  - (2) From the bottom side of the traverse mechanism assembly, release the lock of the connector **CN101** on the DVD servo board in the direction of the arrow 1 and disconnect the card wire. (See Fig.6.)

**Caution:**

- Solder the short land sections **c** on the pickup before disconnecting the card wire from the connector **CN101** on the DVD servo board. If the card wire is disconnected without attaching solder, the pickup may be destroyed by static electricity. (See Figs.5 and 6.)
  - When attaching the DVD servo board, be sure to remove solders from the short land sections **c** after connecting the card wire to the connector **CN101** on the DVD servo board. (See Figs.5 and 6.)
- (3) Disconnect the card wire from the connector **CN201** on the DVD servo board. (See Fig.6.)
  - (4) Remove the two screws **C** attaching the DVD servo board. (See Fig.6.)
  - (5) Remove the DVD servo board from the engagement section **d** in an upward and remove the engagement section **f** in the direction 3 while removing the engagement section **e** in the direction of the arrow 2. (See Fig.6.)



### 3.2.4 Removing the pickup (See Figs.5,7 to 9)

- Remove the traverse mechanism assembly.

- (1) From the side of the traverse mechanism assembly, solder the short land sections **c** on the pickup. (See Fig.5.)
- (2) Release the lock of the connector on the pickup in the direction of the arrow and disconnect the card wire. (See Fig.7.)

**Caution:**

- Solder the short land sections **c** on the pickup before disconnecting the card wire from the connector on the pickup. If the card wire is disconnected without attaching solder, the pickup may be destroyed by static electricity. (See Figs.5 and 7.)
- When attaching the pickup, be sure to remove solders from the short land sections **c** after connecting the card wire to the connector on the pickup. (See Figs.5 and 7.)

- (3) Remove the screw **D** attaching the plate and thrust spring. (See Fig.7.)
- (4) Remove the engagement section **g** attaching the plate to the feed holder and remove the plate with the thrust spring. (See Fig.7.)
- (5) Remove the shaft of the pickup from the section **h** on the traverse mechanism assembly and remove the shaft from the section **i** while moving it in the direction of the arrow. (See Fig.8.)
- (6) Remove the pickup from the section **j** of the traverse mechanism assembly and take out the pickup with the shaft. (See fig.8.)
- (7) From the bottom side of the pickup, remove the two screws **E** attaching the SW actuator and LEAD spring. (See Fig.9.)
- (8) Pull the shaft out of the pickup. (See Fig.9.)

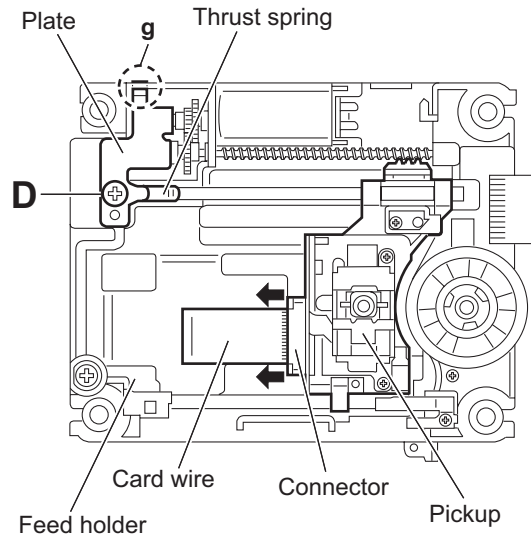


Fig.7

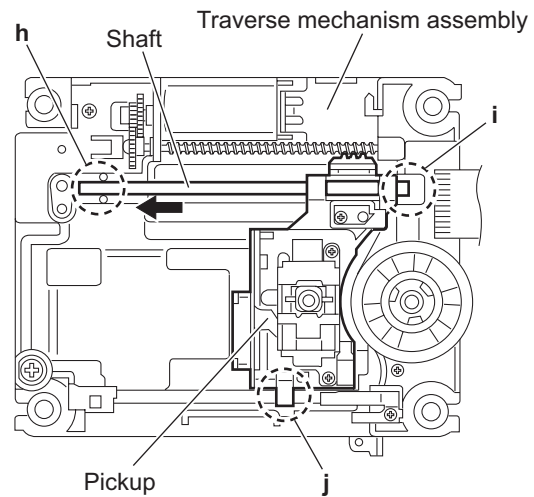


Fig.8

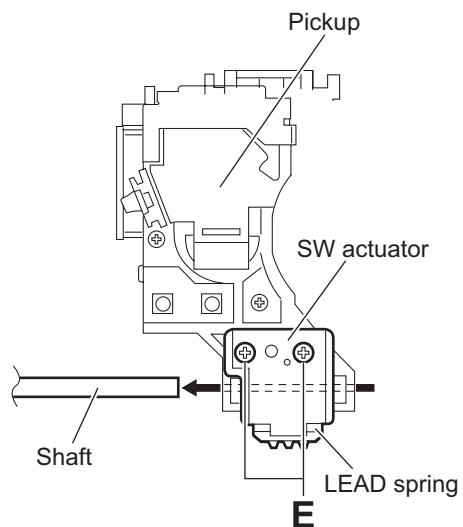


Fig.9

### 3.2.5 Attaching the pickup (See Figs.5,7 to 10)

- See "3.2.4 Removing the pickup".
- (1) Attach the shaft, SW actuator and LEAD spring to the pickup. (See Fig.9.)
- (2) Align the pickup to the section **j** of the traverse mechanism assembly first, and set the both ends of the shaft of the pickup in the sections **g** and **i** of the traverse mechanism assembly. (See Fig.8.)
- (3) Attach the plate and thrust spring. (See Fig.7.)
- (4) Remove solders from the short land sections **c** after connecting the card wire to the connector on the pickup. (See Figs.5 and 7.)
- (5) Turn the feed gear **M** in the direction of the arrow 1 to move the pickup in the direction of the arrow 2. (See Fig.10.)

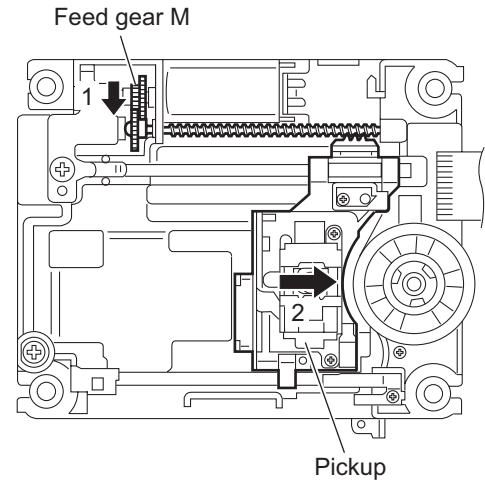


Fig.10

### 3.2.6 Removing the feed motor (See Figs.7,11 and 12)

- Remove the traverse mechanism assembly.
- (1) From the top side of the traverse mechanism assembly, remove the screw **D** attaching the plate and thrust spring. (See Fig.7.)
- (2) Remove the engagement section **g** attaching the plate to the feed holder and remove the plate with the thrust spring. (See Fig.7.)
- (3) Remove the wires from the soldered section **k** on the spindle motor board. (See Fig.11.)

**Reference:**

When attaching the feed motor, pass the wire through the section **m** on the spindle base. (See Fig.11.)

- (4) Remove the feed holder, feed motor, lead screw, feed gear **E** and feed gear **M** at the same time after removing the two screws **F** attaching the feed holder. (See Fig.11.)
- (5) From the side of the feed holder, remove the two screws **G** attaching the feed motor. (See Fig.12.)

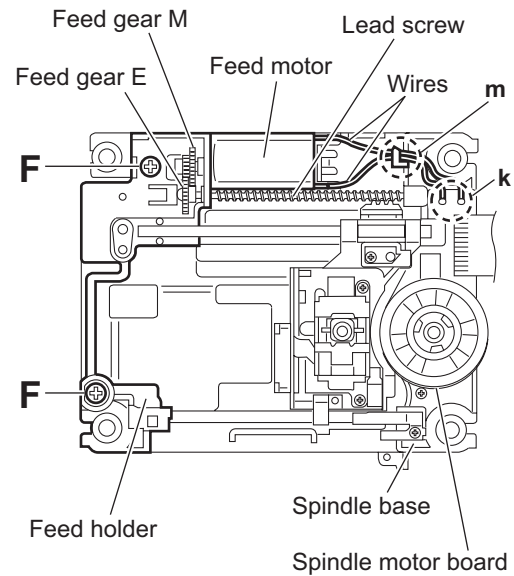


Fig.11

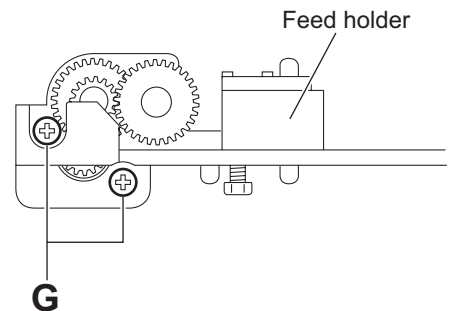


Fig.12

### 3.2.7 Removing the spindle motor board (See Figs.11 and 13)

- Remove the traverse mechanism assembly.
- Remove the DVD servo board.
  - (1) From the top side of the traverse mechanism assembly, remove the wires from the soldered section **k** on the spindle motor board. (See Fig.11.)
  - (2) From the bottom side of the traverse mechanism assembly, remove the three screws **H** attaching the spindle motor board. (See Fig.13.)

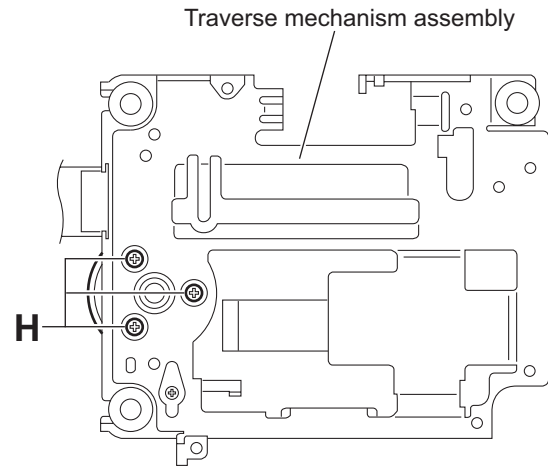


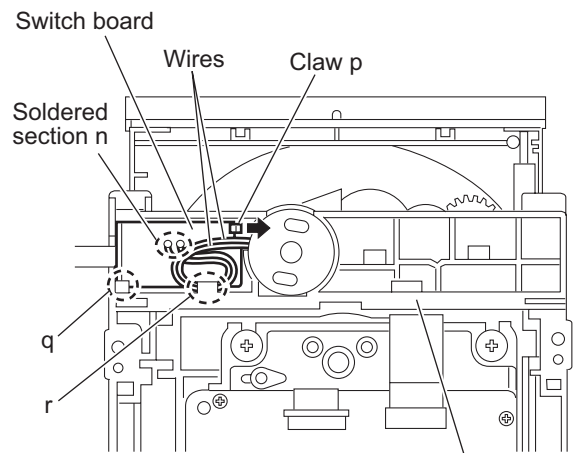
Fig.13

### 3.2.8 Removing the switch board (See Fig.14.)

- (1) From the bottom side of the DVD mechanism assembly, remove the wires from the soldered section **n** on the switch board.
- (2) Lift the switch board while pressing the claw **p** of the DVD mechanism assembly in the direction of the arrow and remove it from the section **q**.

#### Reference:

- Put the wires on the section **r** after attaching the switch board to the DVD mechanism assembly.
- Fix the claw **p** on the DVD mechanism assembly with bonds after attaching the switch board.



DVD mechanism assembly  
Fig.14

### 3.2.9 Removing the motor (See Figs.14 and 15)

- Remove the tray assembly.
  - (1) From the bottom side of the DVD mechanism assembly, remove the wires from the soldered section **n** on the switch board.
  - (2) From the top side of the DVD mechanism assembly, remove the belt from the motor pulley. (See Fig.15.)

#### Note:

Take care not to attach grease on the belt.

- (3) Remove the two screws **J** attaching the motor to the DVD mechanism assembly and take out the motor from the bottom side of the DVD mechanism assembly. (See Fig.15.)

#### Reference:

Put the wires on the section **r** after attaching the motor to the DVD mechanism assembly. (See Fig.14.)

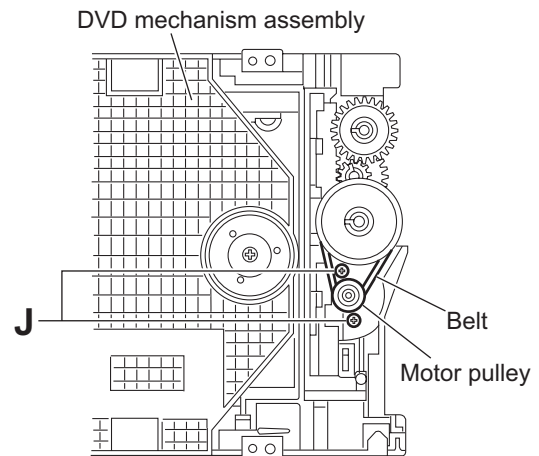


Fig.15

# SECTION 4 ADJUSTMENT

## 4.1 Jigs and test instruments

- Remote controller
- Test disc : VT501, VT502

## 4.2 Adjustment and check method

(Please make sure to set Audio mode on Remote controller)

While pressing both the [STOP] key and [PLAY/PAUSE] key on the main unit, insert the AC power cord in an outlet.

Indication  
TES E0  
1  
or  
TES E3h  
1

Area suffix indication

1:JC 2:1U 3:D 4:E 5:2U 6:3U  
7:UB 8:UT 9:4U 10:UY 11:EE 12:UF

Region indication

Received region data are assigned by a bit unit.

Bit0:Region 1  
Bit1:Region 2  
Bit2:Region 3  
Bit3:Region 4  
Bit4:Region 5  
Bit5:Region 6  
Bit6:Region 7  
Bit7:Region 8

When 1 is made more than 2 bits, HEX displays a region number and distinguishes it by displaying h.

Press the [MENU] key on the remote controller.

Indication  
XXXX

Index indication of device key  
(For DVD-Audio)

Press the [MENU] key on the remote controller.

Indication  
X.XX XX  
SC:

Version indication of system control microcomputer

SYS : System control microcomputer

A version of a ROM collection is displayed in the right side of version indication of a system control microcomputer.

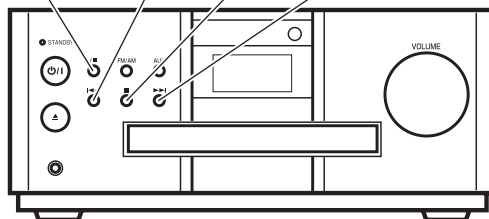
Press the [ON SCREEN] key on the remote controller.

Indication  
XXX  
UT:

Version indication of unit

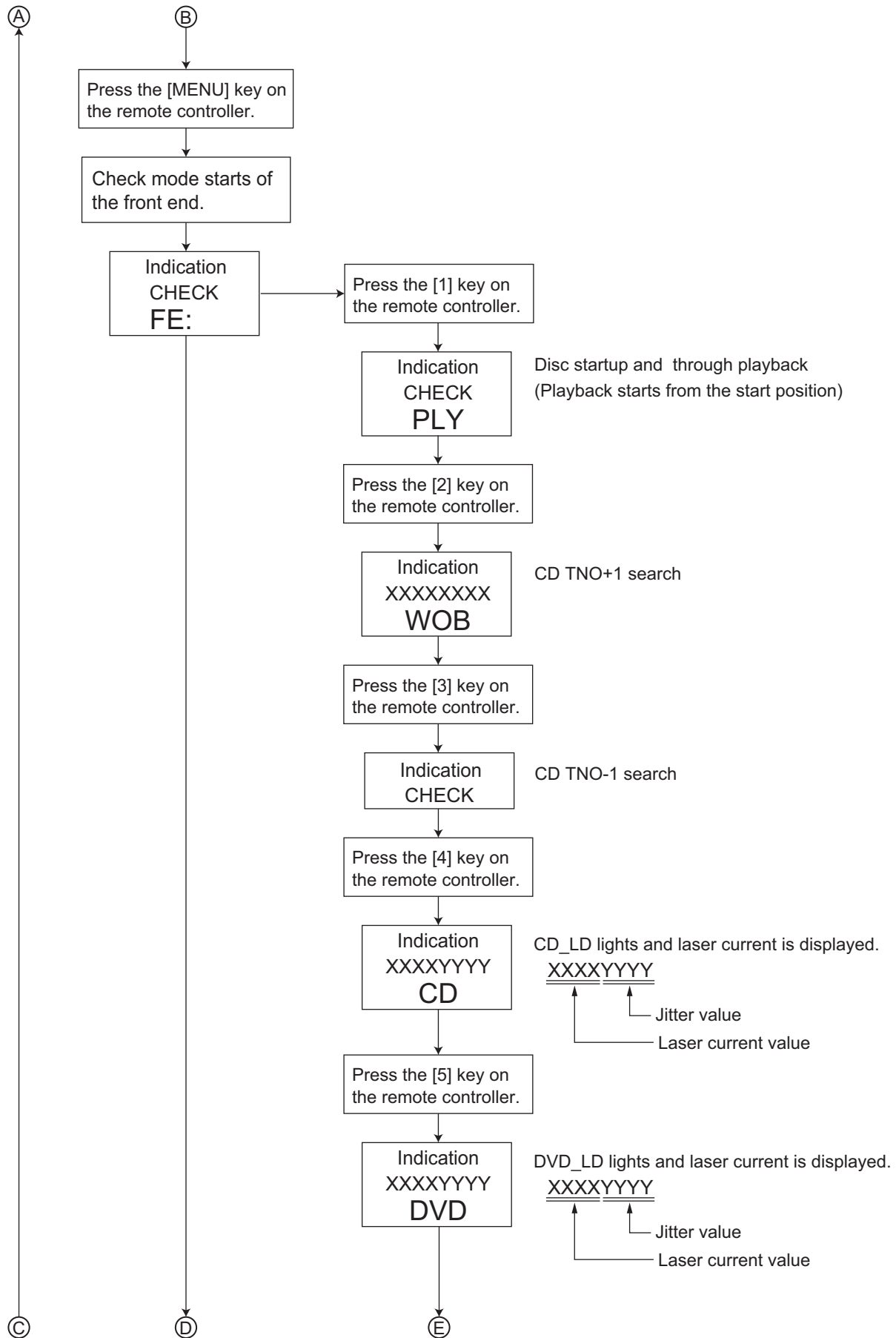
\* Indication returns to version indication of a system control microcomputer by pushing an ON SCREEN key again.

PLAY/PAUSE B.SKIP STOP F.SKIP



(A)

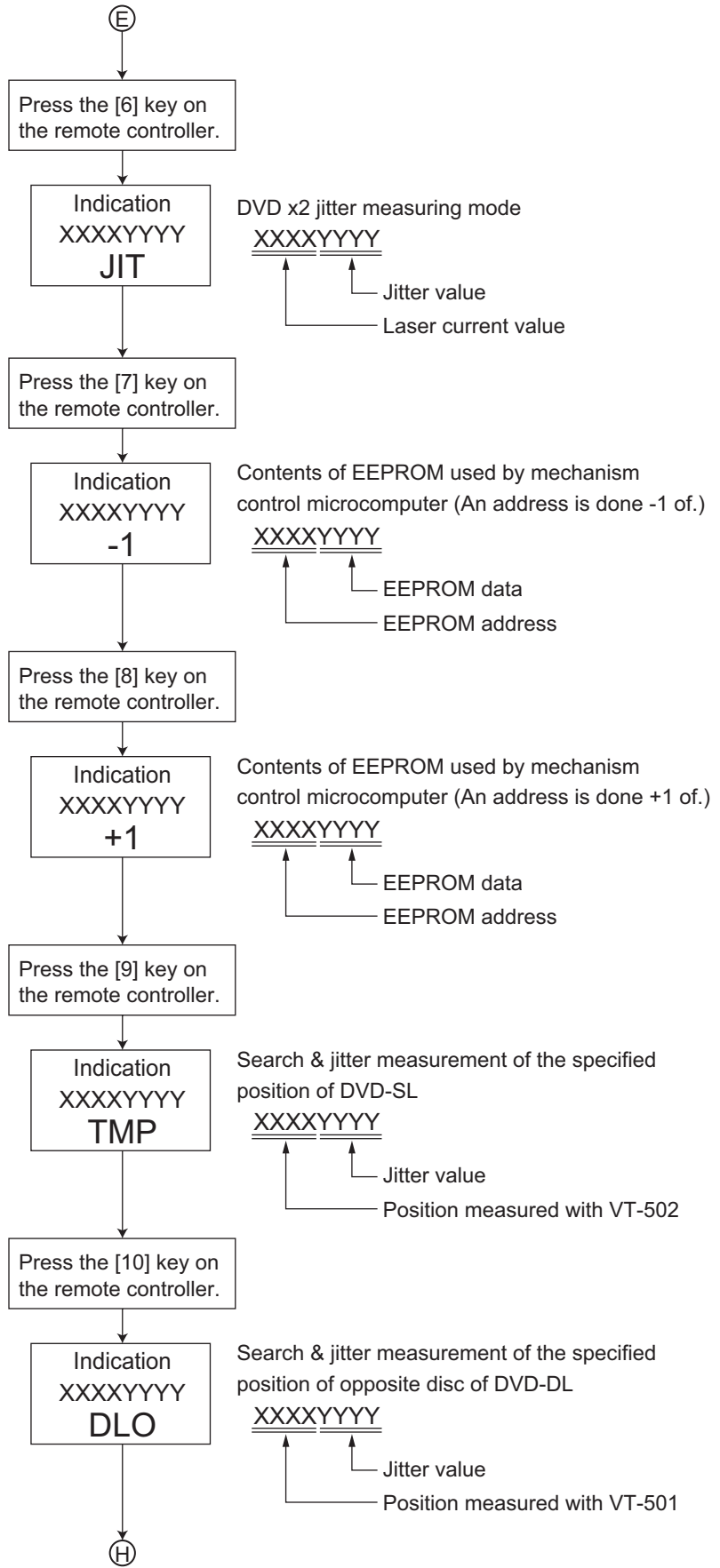
(B)

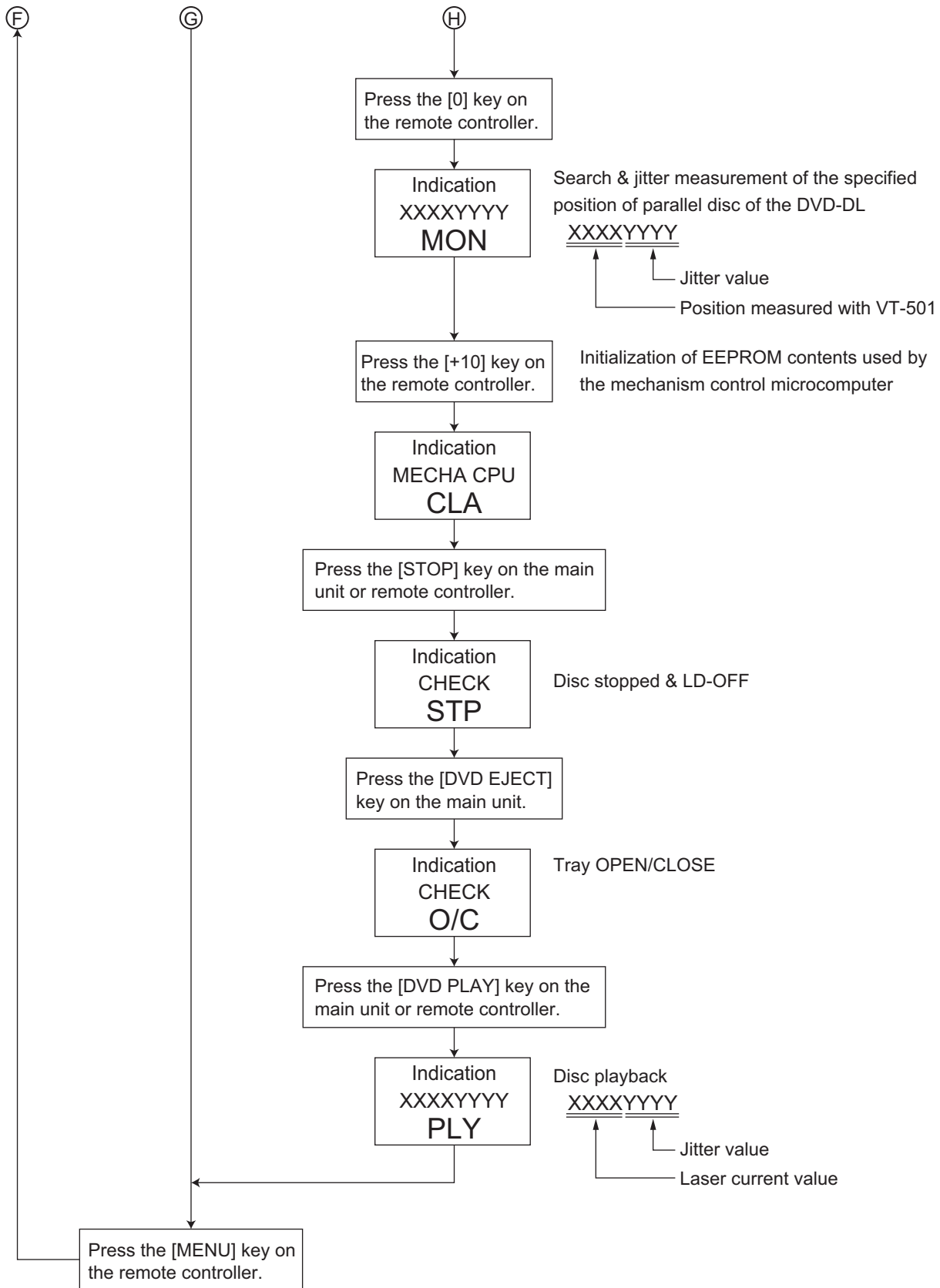




Ⓒ  
Ⓔ

Ⓓ  
Ⓕ





\* Cancellation of a test mode  
 Push the [STANDBY] key on the main unit or remote controller.  
 Cancellation of a test mode can execute any step in adjustment.

## **SECTION 5 TROUBLESHOOTING**

This service manual does not describe TROUBLESHOOTING.



**JVC**

Victor Company of Japan, Limited  
AV & MULTIMEDIA COMPANY AUDIO/VIDEO SYSTEMS CATEGORY 10-1,1chome,Ohwatari-machi,Maebashi-city,371-8543,Japan

(No.MB396)

# JVC

# SCHEMATIC DIAGRAMS

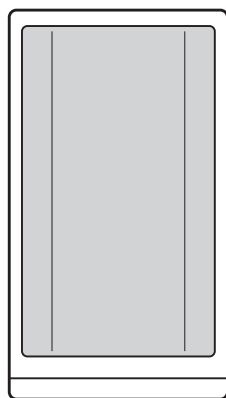
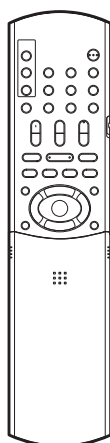
## COMPACT COMPONENT SYSTEM

### EX-A5

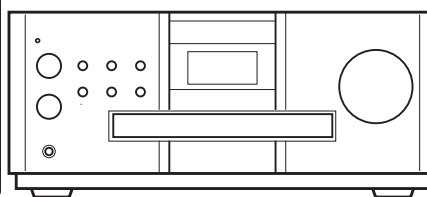
CD-ROM No.SML200504

#### Area suffix

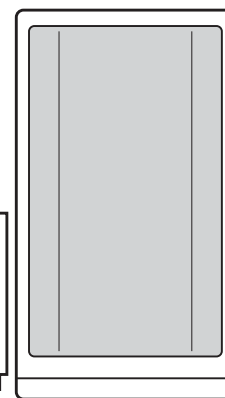
B ----- U.K.  
E ----- Continental Europe  
EN ----- Northern Europe  
EV ----- Eastern Europe  
EE ----- Russian Federation



(SP-EXA5)



(CA-EXA5)



(SP-EXA5)

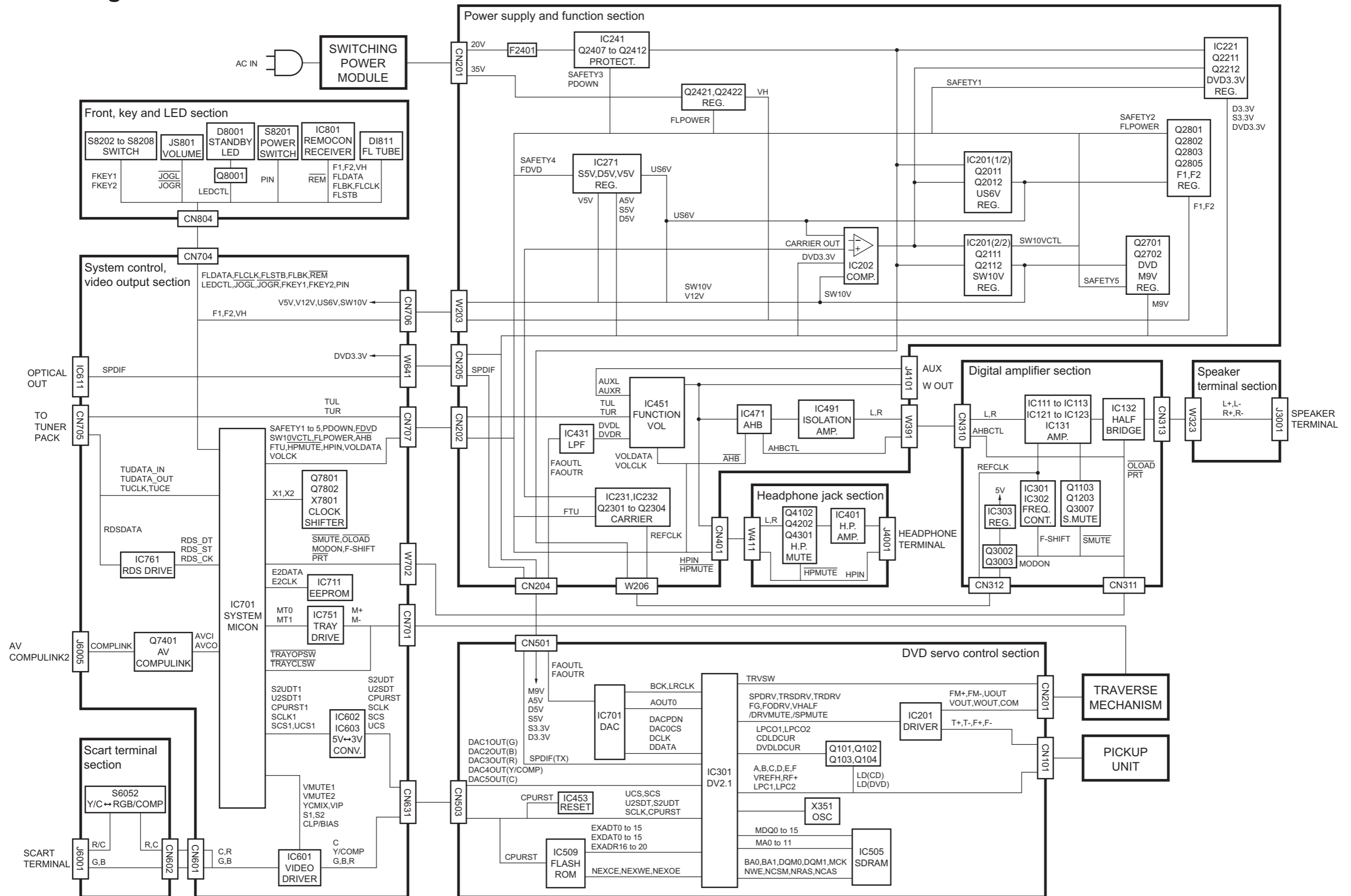


#### Contents

Block diagram .....	2-1
Standard schematic diagrams .....	2-2
Printed circuit boards .....	2-9 to 13

In regard with component parts appearing on the silk-screen printed side (parts side) of the PWB diagrams, the parts that are printed over with black such as the resistor (■), diode (⊣) and ICP (●) or identified by the "⚠" mark nearby are critical for safety.

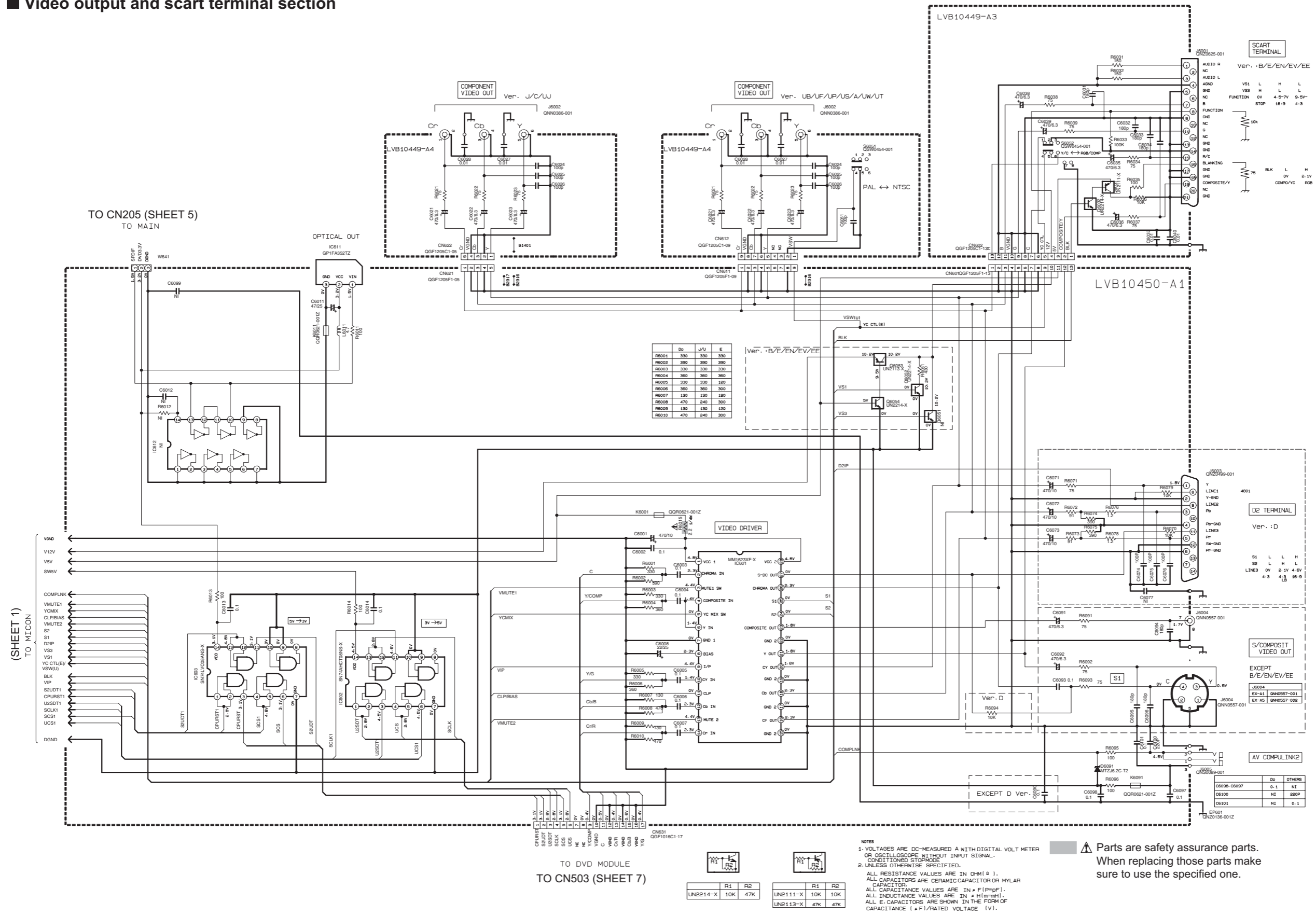
# Block diagram







# Video output and scart terminal section



**NOTES**

- VOLTAGES ARE DC-MEASURED A WITH DIGITAL VOLT METER OR OSCILLOSCOPE WITHOUT INPUT SIGNAL. CONDITIONED STORAGE.
- UNLESS OTHERWISE SPECIFIED.

ALL RESISTANCE VALUES ARE IN OHM (Ω).

ALL CAPACITORS ARE CERAMIC CAPACITOR OR MYLAR CAPACITOR.

ALL CAPACITANCE VALUES ARE IN nF (nPF).

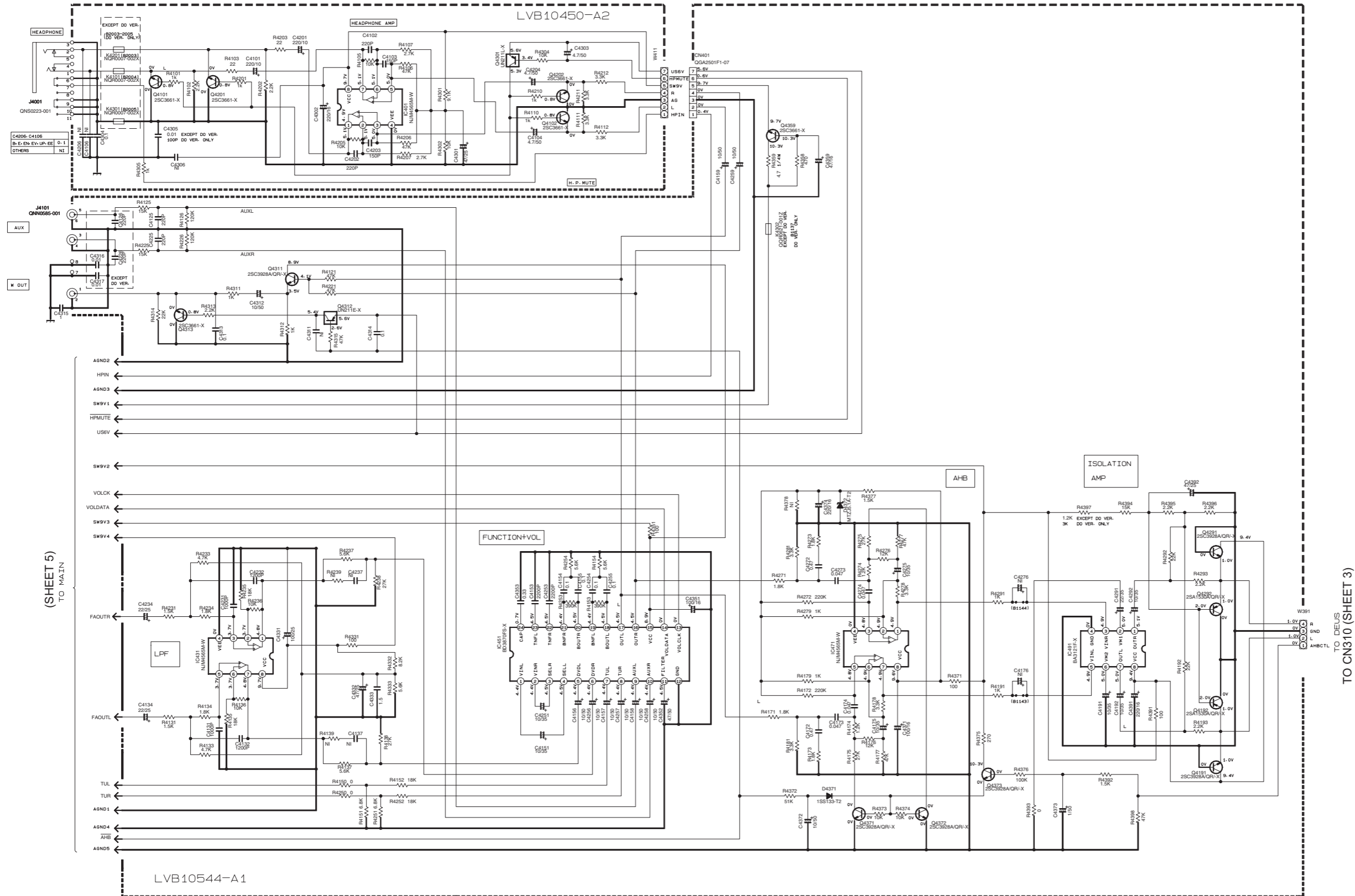
ALL INDUCTANCE VALUES ARE IN μH (μH).

ALL E. CAPACITORS ARE SHOWN IN THE FORM OF CAPACITANCE (nF)/RATED VOLTAGE (V).

**Parts are safety assurance parts. When replacing those parts make sure to use the specified one.**



Function and headphone jack section



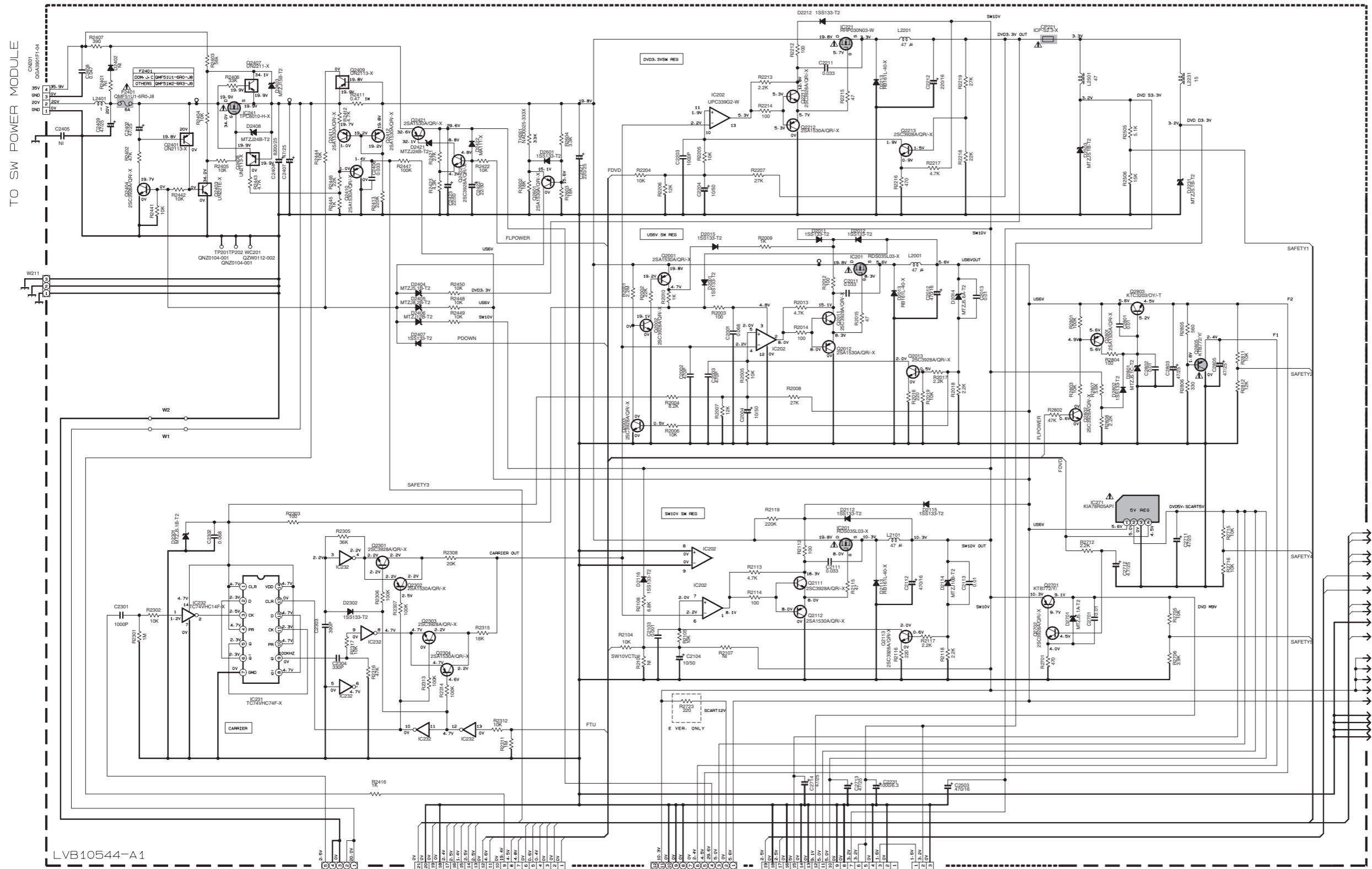
(SHEET 5)  
TO MAIN

TO DELUS  
TO CN310 (SHEET 3)

- NOTES
1. VOLTAGES ARE DC-MEASURED WITH A DIGITAL VOLT METER OR OSCILLOSCOPE WITHOUT INPUT SIGNAL. CONDITION: CD STOP MODE
  2. UNLESS OTHERWISE SPECIFIED.
- ALL RESISTANCE VALUES ARE IN OHM(Ω).  
ALL CAPACITORS ARE CERAMIC CAPACITOR OR MYLAR CAPACITOR.  
ALL CAPACITANCE VALUES ARE IN #P#P#PF.  
ALL INDUCTANCE VALUES ARE IN #H#H#MH.  
ALL C. CAPACITORS ARE SHOWN IN THE FORM OF CAPACITANCE (F)/RATED VOLTAGE (V).  
ALL DIODES ARE 1S1533-T2

	R1	R2
	UN211E-X	47K 22K
	UN211L-X	4.7K 4.7K

Power supply section



LVB10544-A1

UN2211-X	R1	10K	R2	10K
UN221E-X	R1	47K	R2	47K

TO DEUS  
TO CN312  
(SHEET 3)

TO CN707  
(SHEET 1)

TO CN706  
(SHEET 1)

TO DVD MODULE  
TO CN501 (SHEET 7)

TO VIDEO  
TO W641  
(SHEET 2)

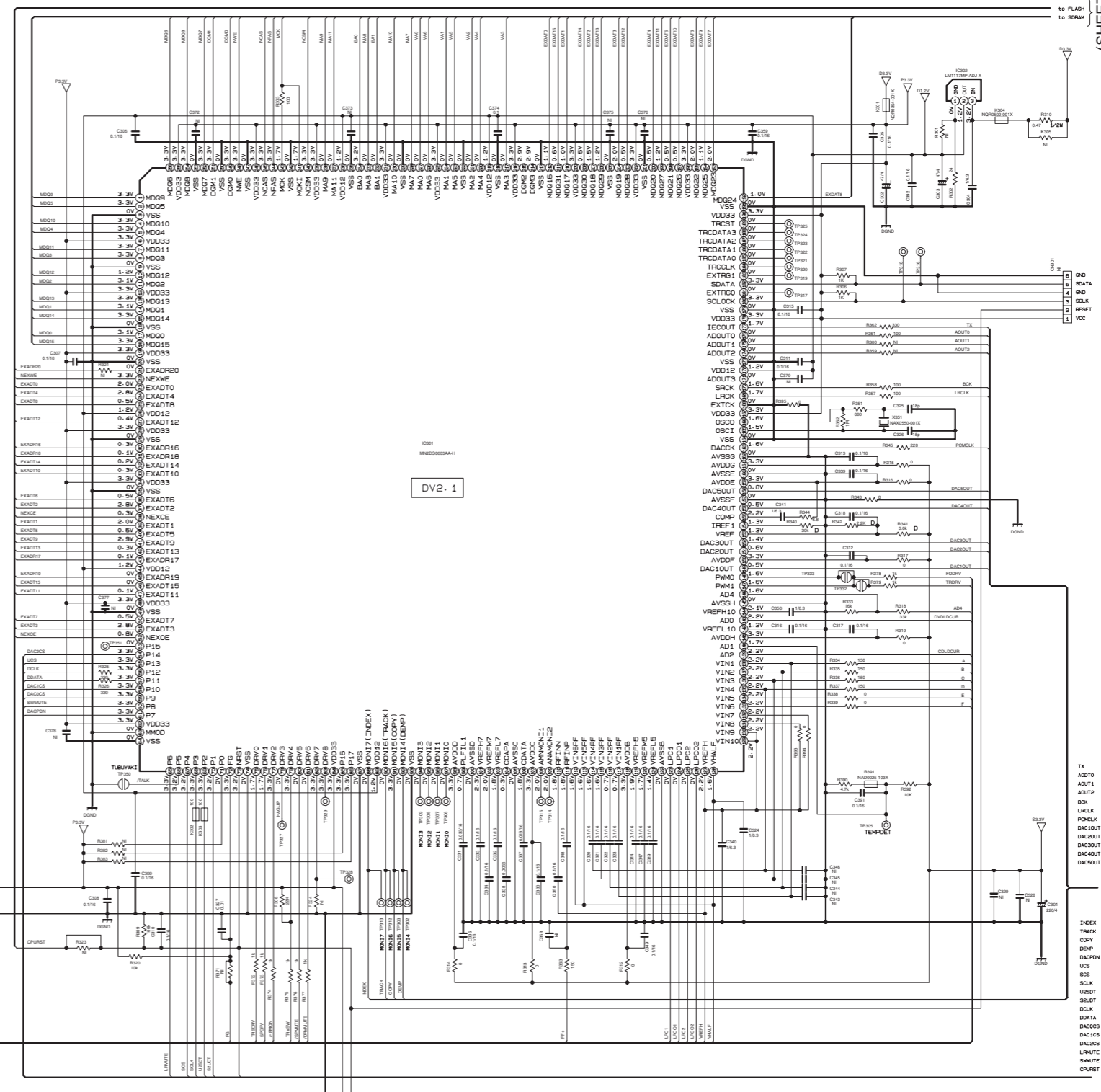
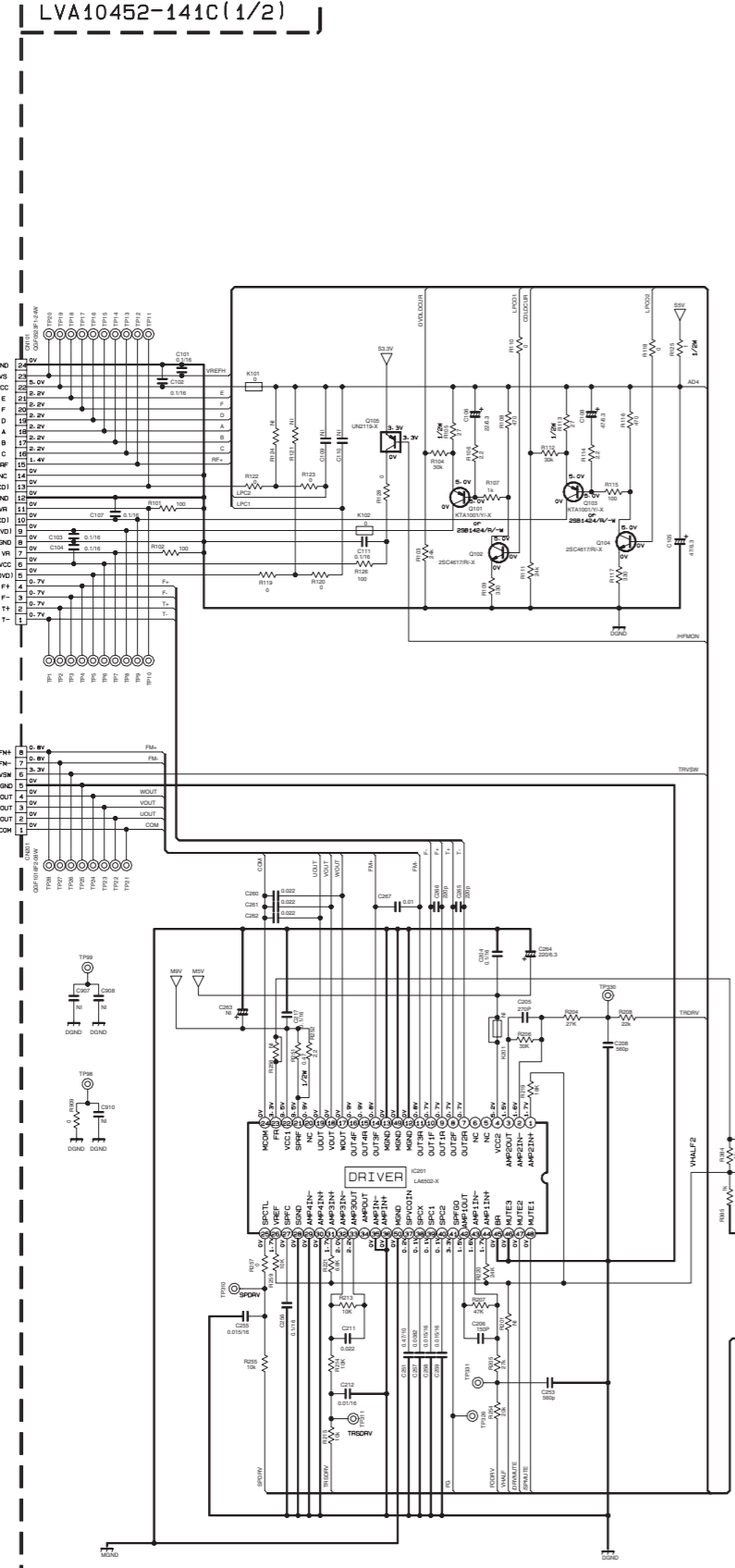
Parts are safety assurance parts.  
When replacing those parts make  
sure to use the specified one.

- NOTES
1. VOLTAGES ARE DC-MEASURED A WITH DIGITAL VOLT METER OR OSCILLOSCOPE WITHOUT INPUT SIGNAL. CONDITION- CD STOP MODE.
  2. UNLESS OTHERWISE SPECIFIED.
- ALL RESISTANCE VALUES ARE IN OHM (Ω).
- ALL CAPACITORS ARE CERAMIC CAPACITOR OR MYLAR CAPACITOR.
- ALL CAPACITANCE VALUES ARE IN μF (μF).
- ALL INDUCTANCE VALUES ARE IN mH (mH).
- ALL E-CAPACITORS ARE SHOWN IN THE FORM OF CAPACITANCE (μF)/RATED VOLTAGE (V).

TO MAIN  
(SHEET 4)

DVD servo control section (1/2)

LVA10452-141C (1/2)



- NOTES
1. VOLTAGES ARE DC-MEASURED WITH A DIGITAL VOLT METER WITHOUT INPUT SIGNAL. CONDITION: DVD DISC IN MODE: DVD STOP
  2. UNLESS OTHERWISE SPECIFIED. ALL RESISTORS ARE 1/10W ±5% METAL GLAZE RESISTOR OR 0.5X METAL GLAZE RESISTOR. ALL CAPACITORS ARE 50V 50% CERAMIC CAPACITOR. ALL RESISTANCE VALUES ARE IN Ω(mΩ). ALL CAPACITANCE VALUES ARE IN pF(pF). ALL E-CAPACITORS ARE SHOWN IN THE FORM OF CAPACITANCE(μF)/RATED VOLTAGE (V). ALL INSTANTANCE VALUES ARE IN H(mm).
  3. N1 STANDS FOR NOT INSERTED PARTS.
  4. DIGITAL TRANSISTOR

Parts are safety assurance parts. When replacing those parts make sure to use the specified one.

(SHEET 7)

(SHEET 7)

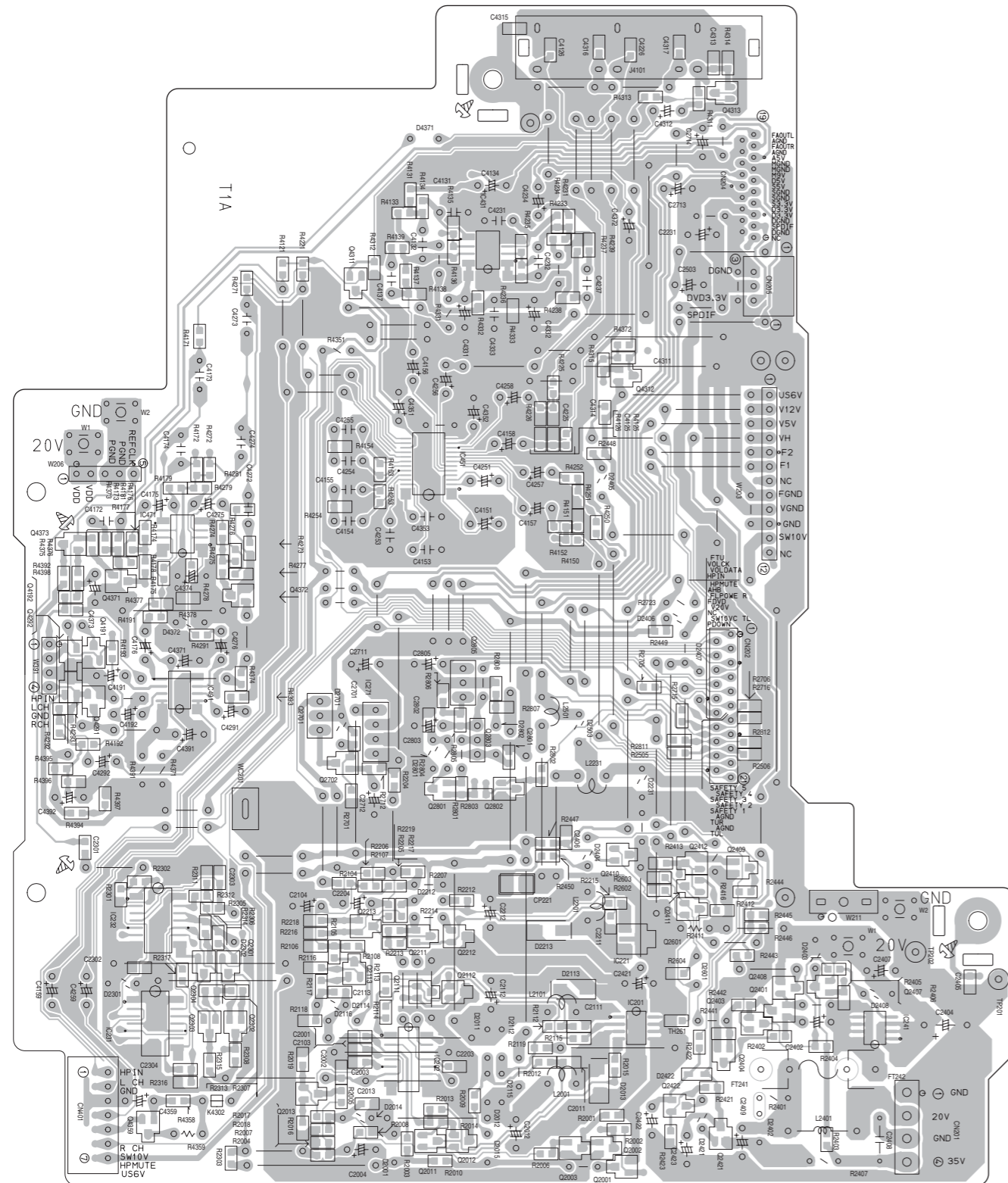




# Printed circuit boards

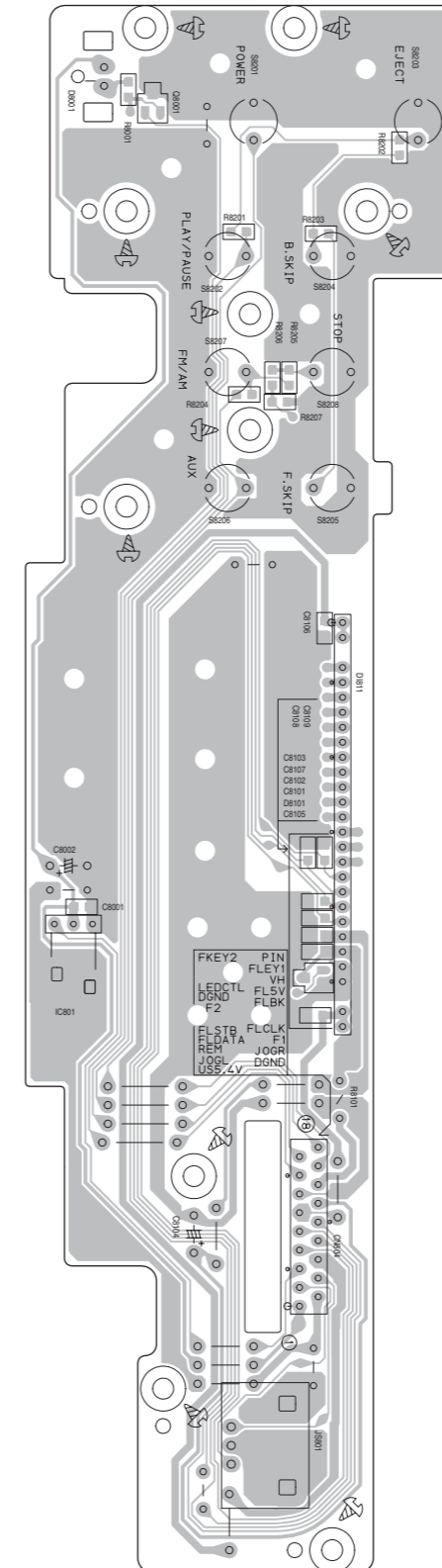
## ■ Main board (1/2)

(Main board)

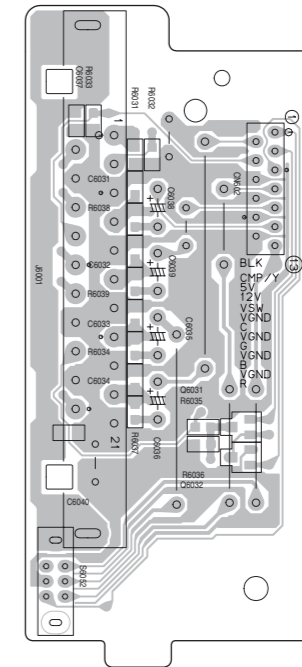


## ■ Main board (2/2)

(Front board)

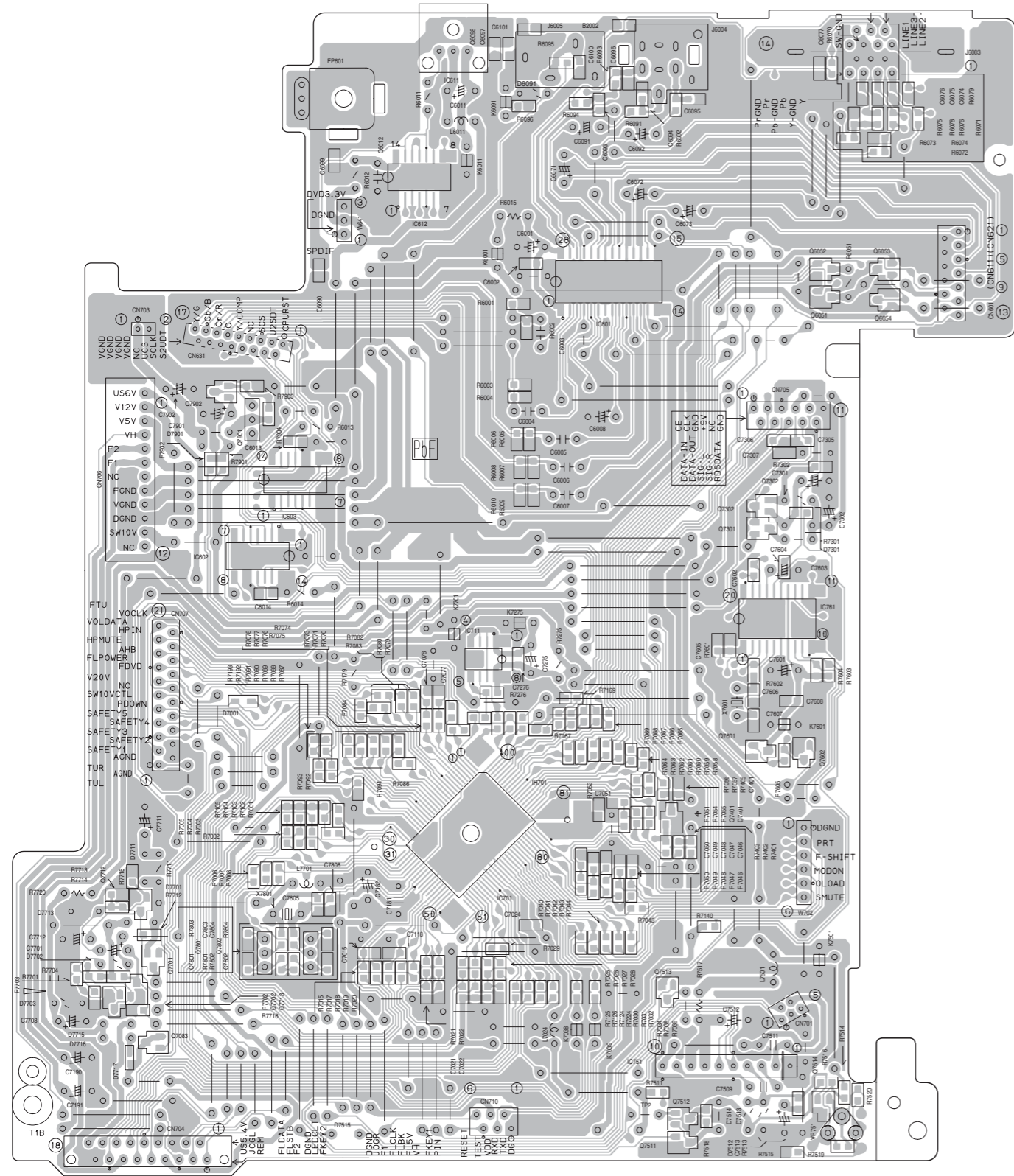


(Scart terminal board)



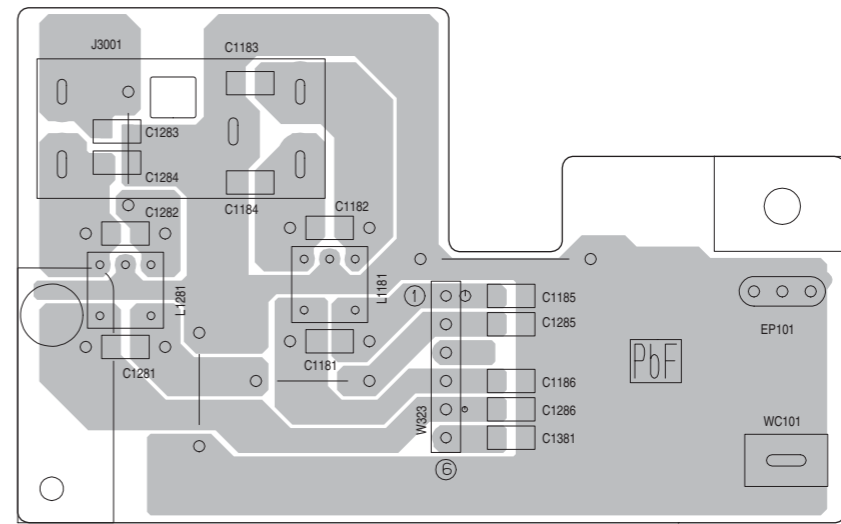
■ Micom board (1/2)

(Micom board)

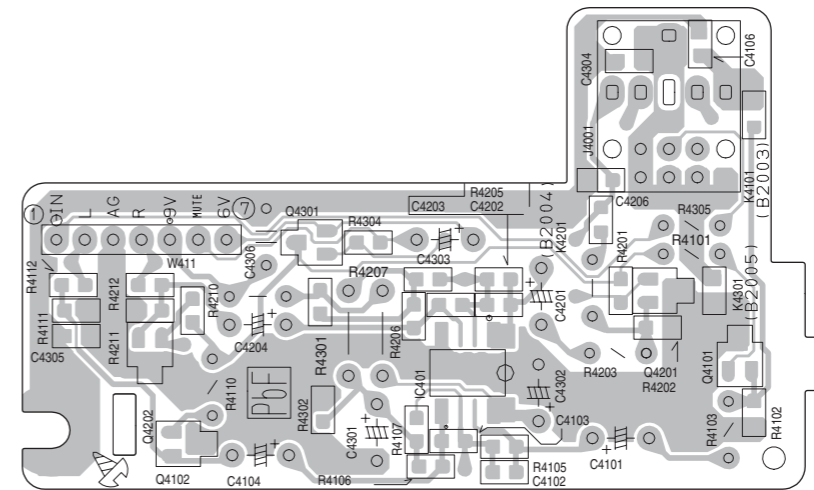


■ Micom board (2/2)

(Speaker terminal board)



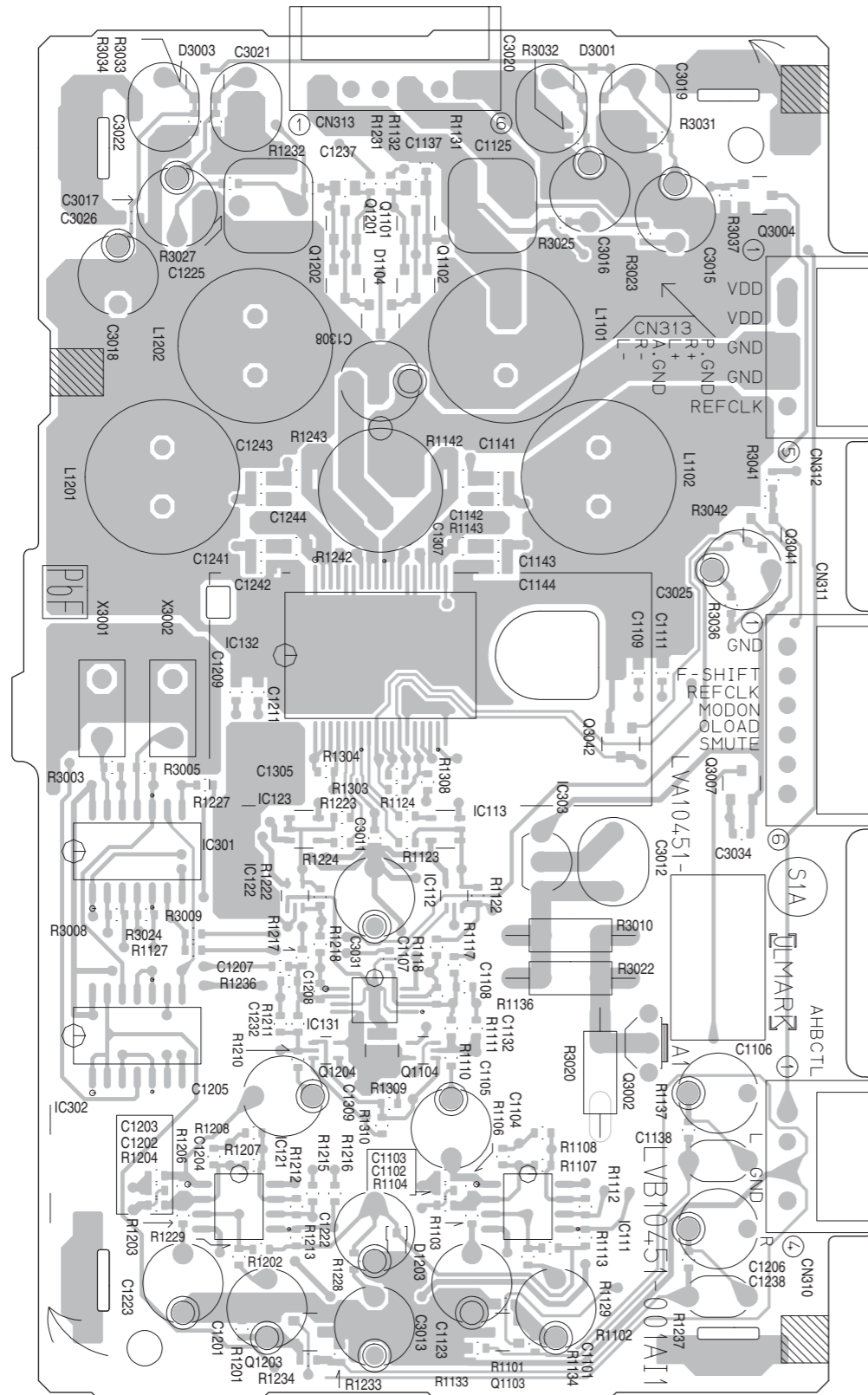
(Headphone board)



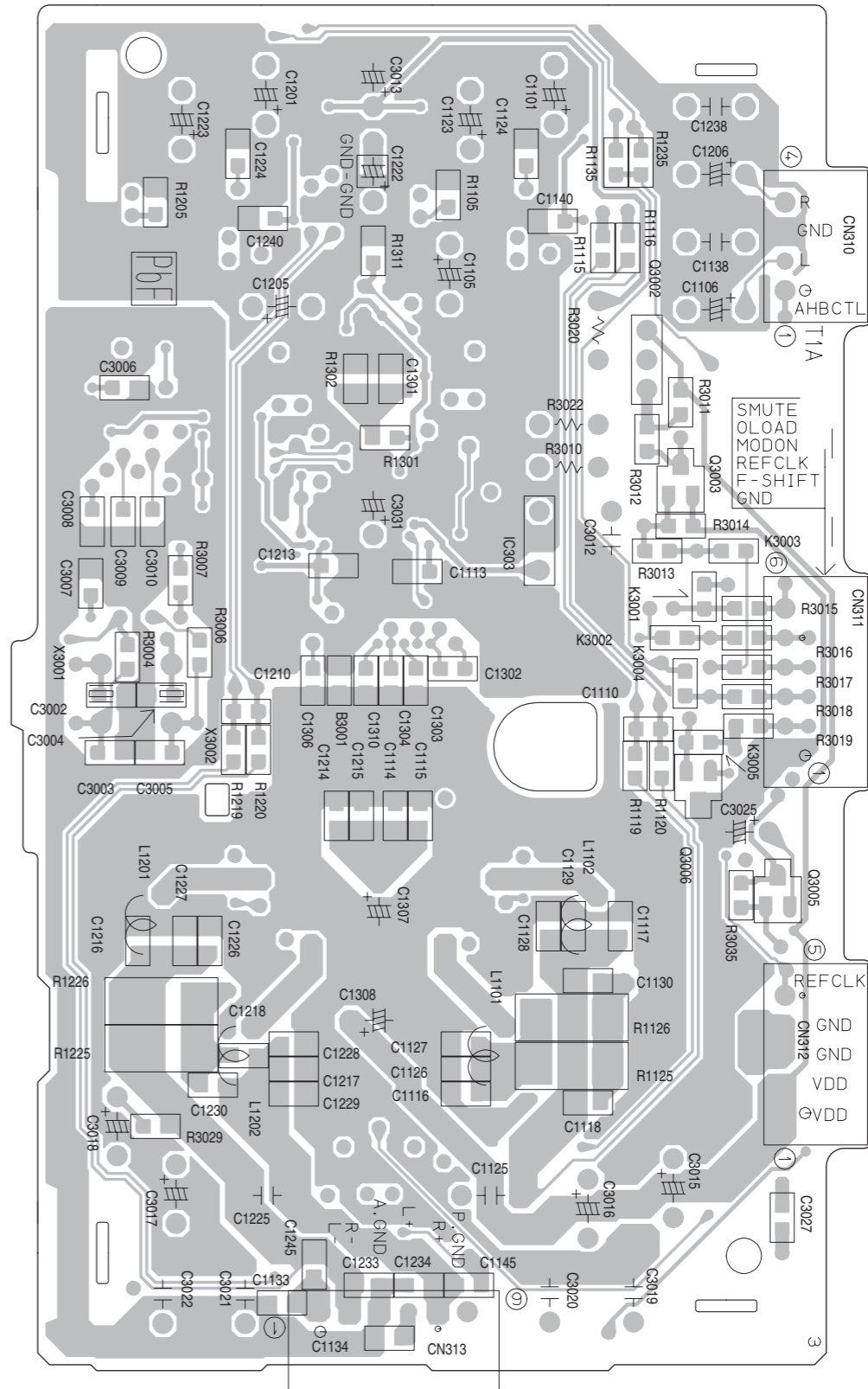


■ Digital amplifier board

Forward side

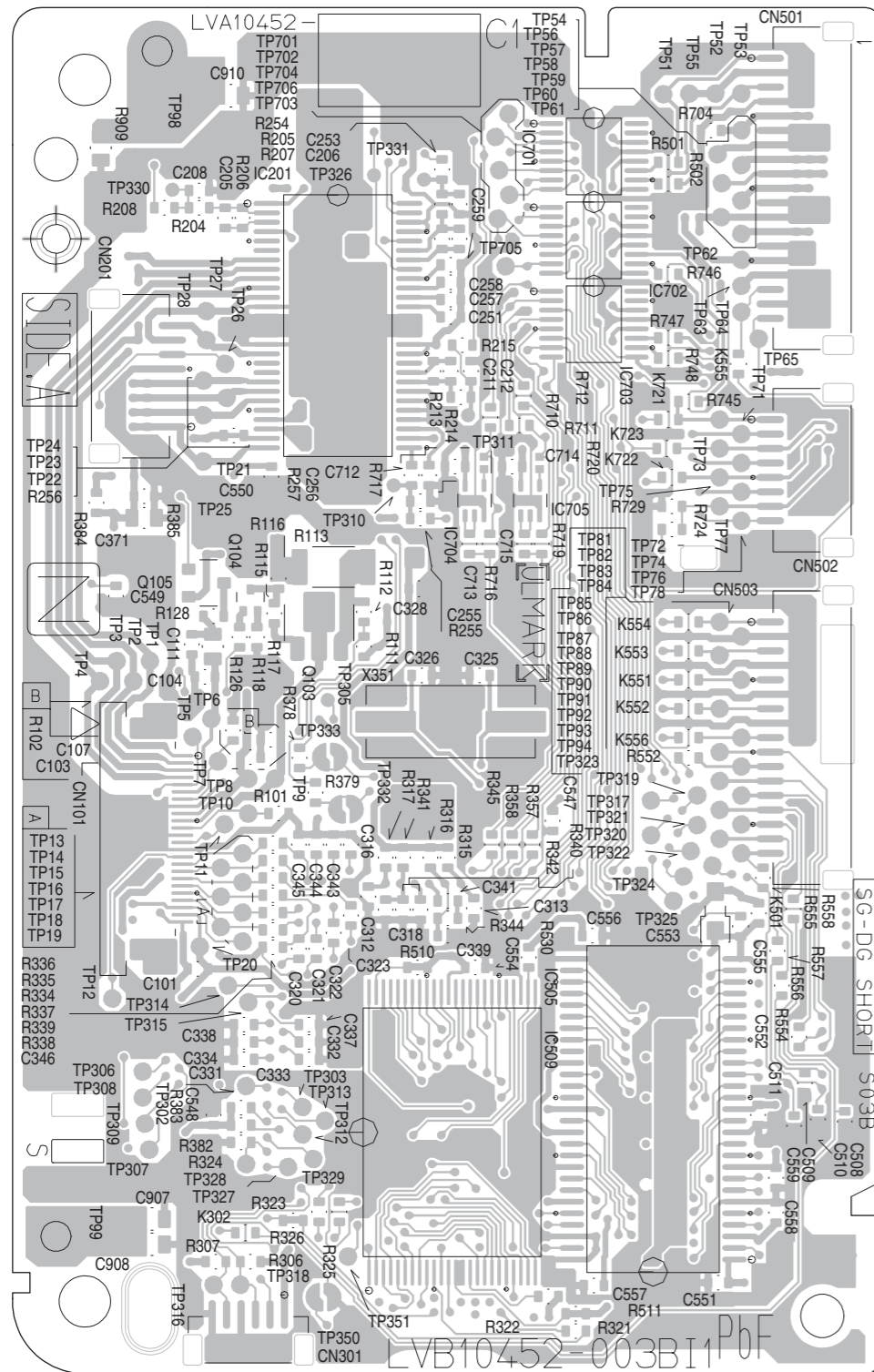


Reverse side

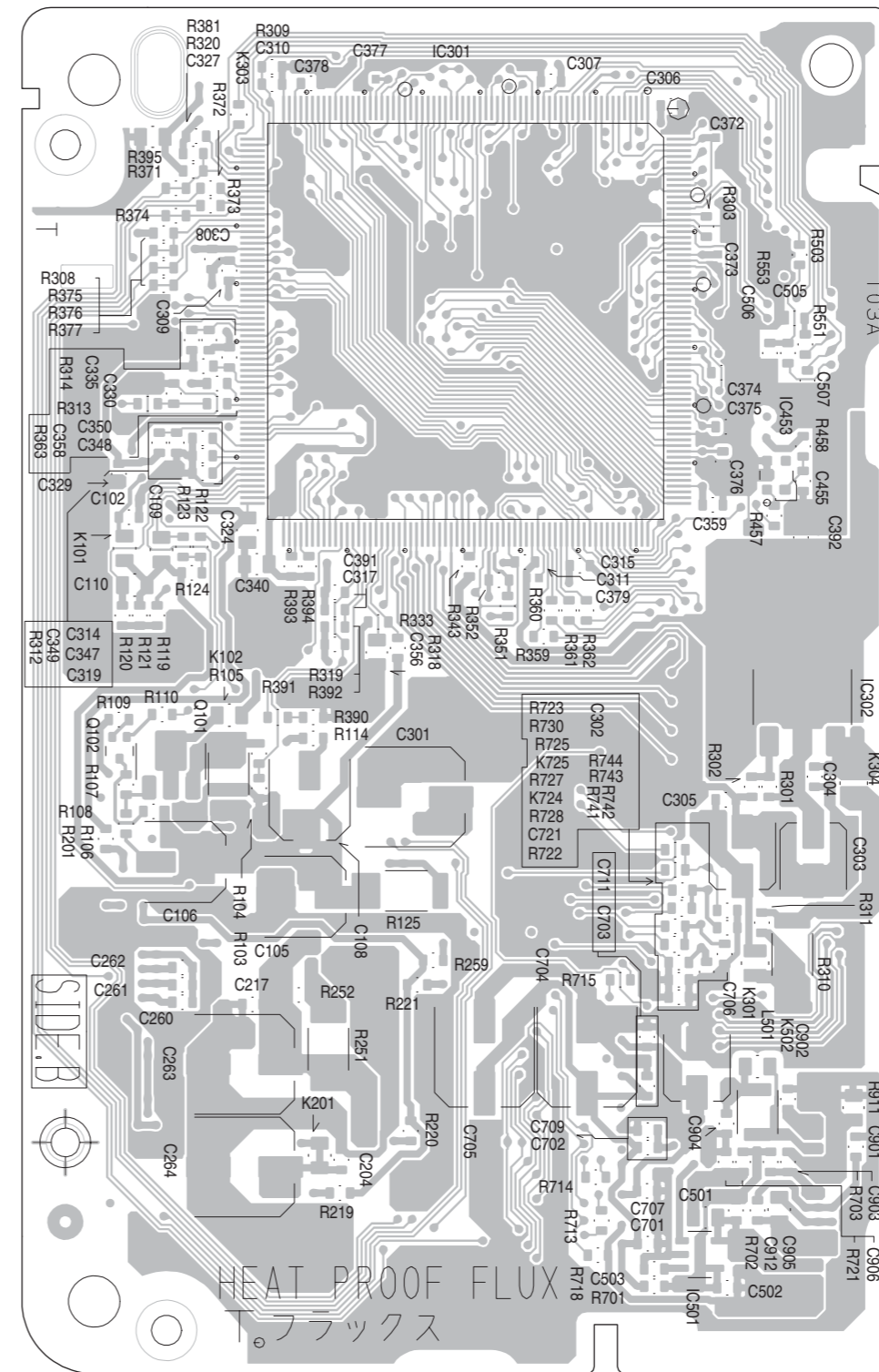


■ DVD servo control board

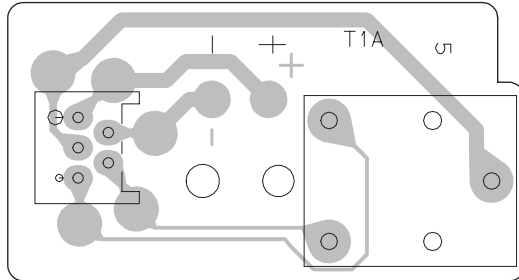
Forward side



Reverse side



■ DVD loading switch board



**JVC**

Victor Company of Japan, Limited

AV & MULTIMEDIA COMPANY AUDIO/VIDEO SYSTEMS CATEGORY 10-1,1chome,Ohwatari-machi,Maebashi-city,371-8543,Japan

(No.MB396SCH)



Printed in Japan  
VPT

# PARTS LIST

[ EX-A5 ]

\* All printed circuit boards and its assemblies are not available as service parts.

## EX-A5

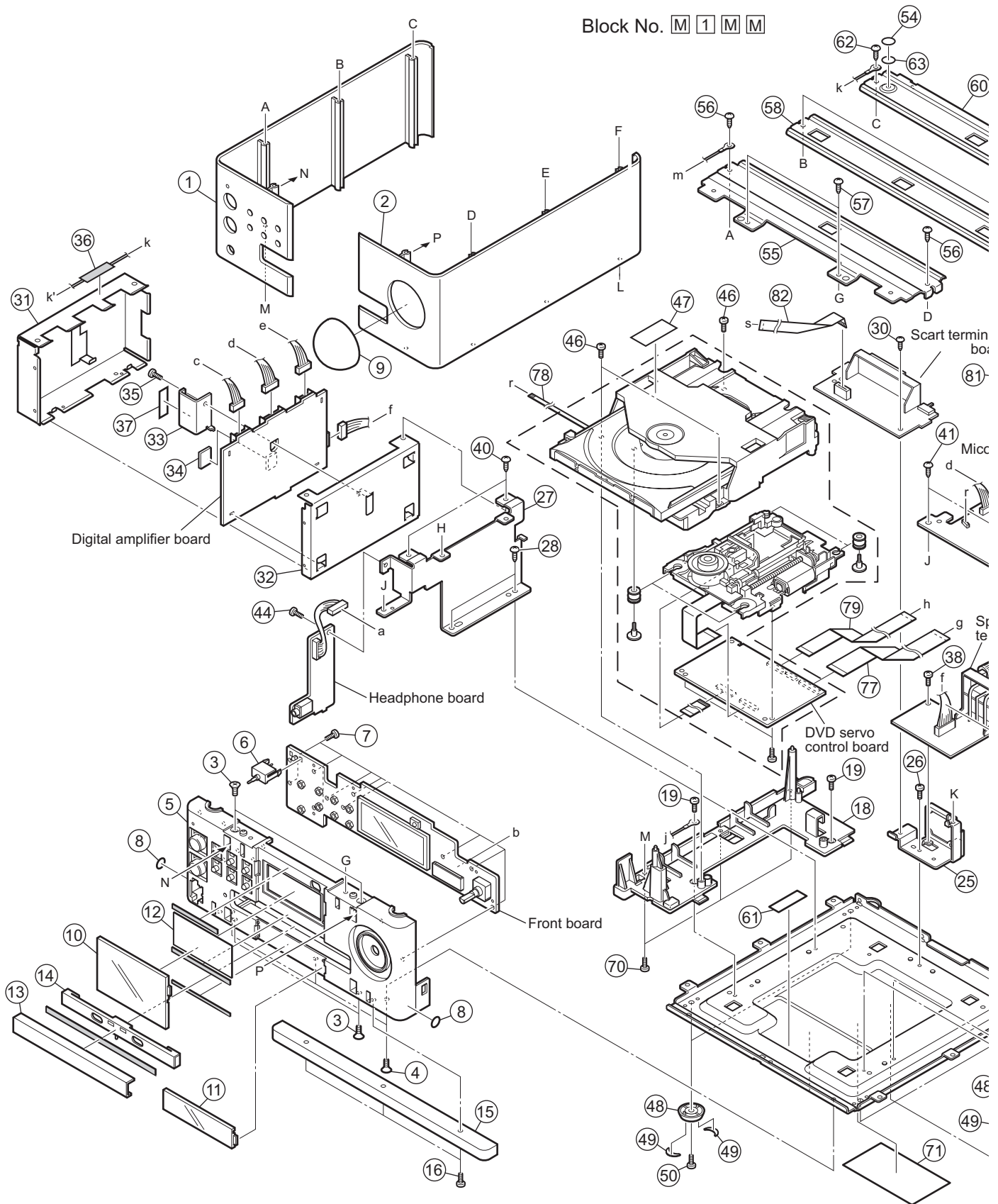
### Area suffix

B	U.K.
E	Continental Europe
EN	Northern Europe
EV	Eastern Europe
EE	Russian Federation

## - Contents -

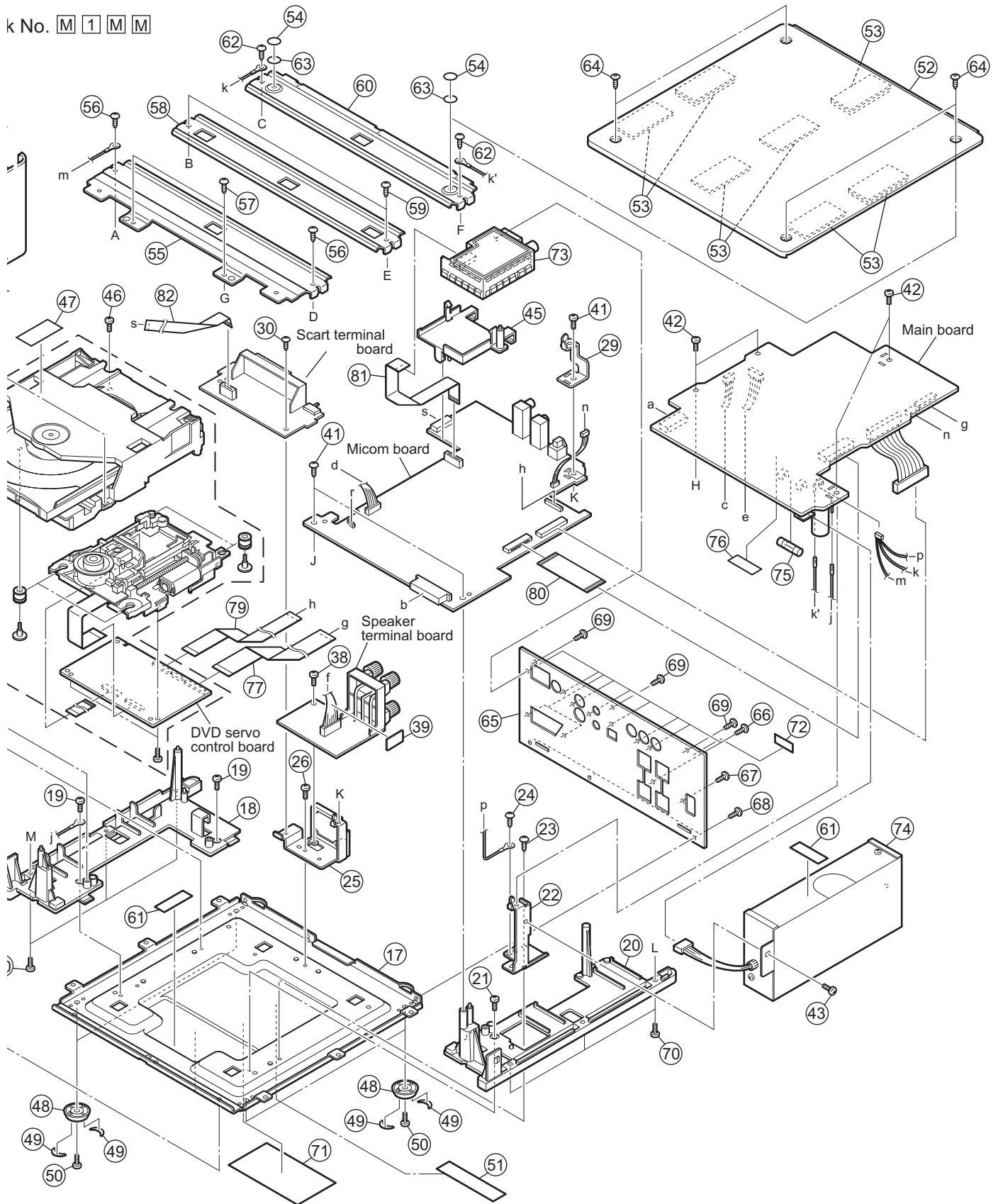
Exploded view of general assembly and parts list (Block No.M1)	3- 2
Speaker assembly and parts list (Block No.M2)	3- 6
DVD mechanism assembly and parts list (Block No.MJ)	3- 8
DVD loading base assembly and parts list (Block No.MN)	3-10
Electrical parts list (Block No.01~05)	3-12
Packing materials and accessories parts list (Block No.M3)	3-22

# Exploded view of general assembly and parts list





k No. M 1 M M



# General assembly

Block No. [M][1][M][M]

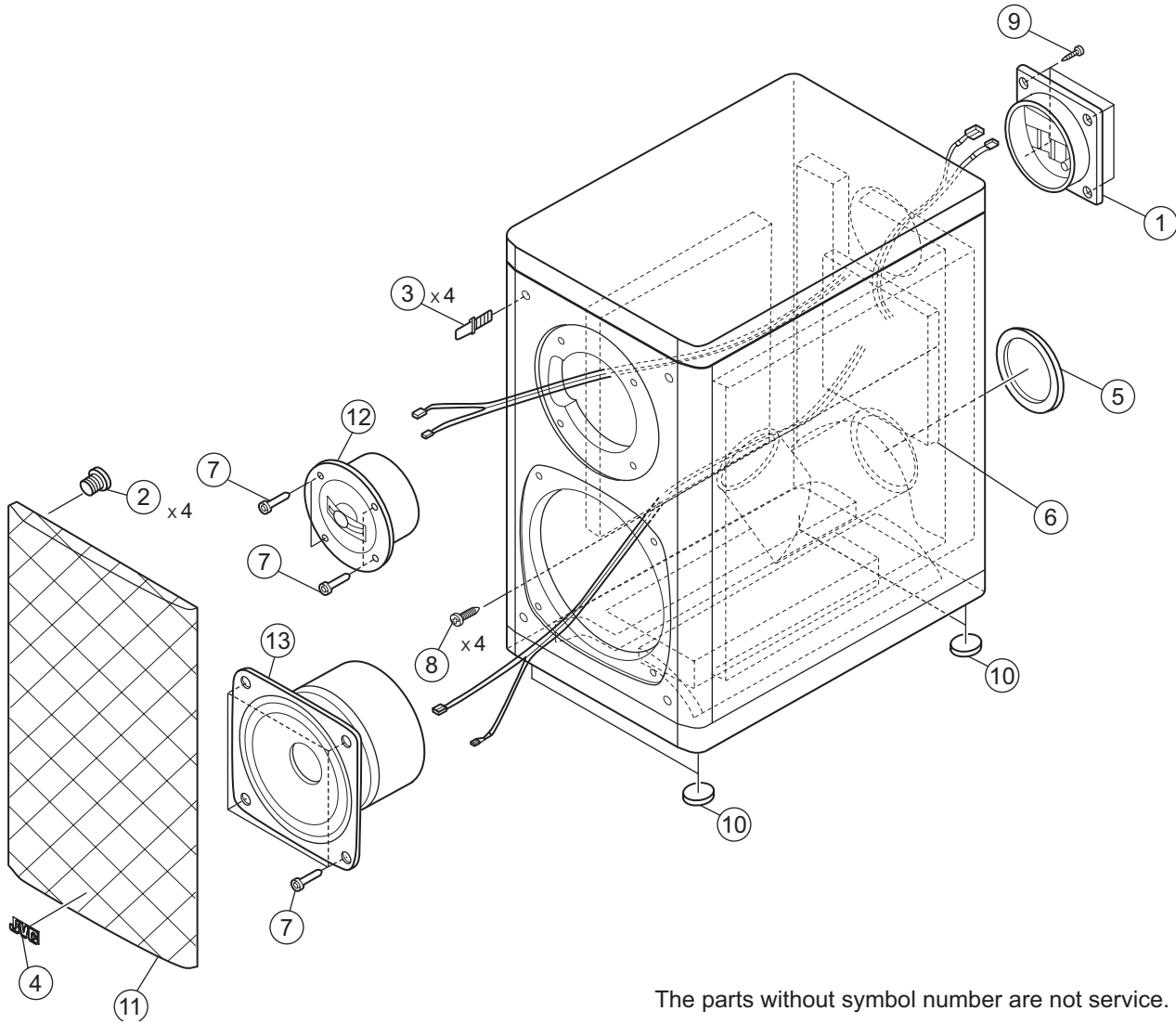
Symbol No.	Part No.	Part Name	Description	Local
1	LV10841-002A	AL PANEL L		
2	LV10842-004A	AL PANEL R		
3	QYSDSF3008ZA	TAP SCREW	M3 x 8mm(x4)	
4	QYSSST3006ZA	TAP SCREW	M3 x 6mm(x3)	
5	LV10843-004A	FRONT PANEL		
6	LV43596-001A	INDICATOR		
7	QYSDSF2608ZA	TAP SCREW	M2.6 x 8mm(x10)	
8	GN30007-003A	SPACER	(x2)	
9	LV34464-002A	VOLUME ASSY		
10	LV34428-004A	FRONT LENS A		
11	LV34429-003A	FRONT LENS B		
12	LV42851-008A	SCREEN		
13	LV34430-002A	FITTING COVER		
14	LV21349-001A	TRAY FITTING(A)		
15	LV34440-001A	WOOD BAR		
16	QYSDSF3012MA	TAP SCREW	M3 x 12mm(x3)	
17	LV10844-001A	BOTTOM CHASSIS		
18	LV21591-002A	SIDE COVER L		
19	QYSBST3006EA	TAP SCREW	M3 x 6mm(x2)	
20	LV21592-002A	SIDE COVER R		
21	QYSBST3006EA	TAP SCREW	M3 x 6mm	
22	LV34431-001A	BRACKET A		
23	QYSBST3006EA	TAP SCREW	M3 x 6mm	
24	QYSBST3006EA	TAP SCREW	M3 x 6mm	
25	LV34432-001A	BRACKET B		
26	QYSBST3006EA	TAP SCREW	M3 x 6mm	
27	LV34433-001A	BRACKET C		
28	QYSBST3006EA	TAP SCREW	M3 x 6mm(x2)	
29	LV34465-001A	BRACKET D		
30	QYSBST3006EA	TAP SCREW	M3 x 6mm	
31	LV34434-001A	DEUS CASE A		
32	LV34435-001A	DEUS CASE B		
33	LV43595-001A	HEAT SINK		
34	LV43407-005A	RUBBER SHEET		
35	QYSBST2606EA	TAP SCREW	M2.6 x 6mm	
36	LV30225-011A	SPACER		
37	LV43407-006A	RUBBER SHEET		
38	QYSBST3006EA	TAP SCREW	M3 x 6mm	
39	LV30225-0R2A	SPACER		
40	QYSBST2606EA	TAP SCREW	M2.6 x 6mm(x2)	
41	QYSDSG3010NA	TAP SCREW	M3 x 10mm(x3)	
42	QYSDSG3010NA	TAP SCREW	M3 x 10mm(x4)	
43	QYSBSGY3008EA	TAP SCREW	M3 x 8mm	
44	QYSDSG3010NA	TAP SCREW	M3 x 10mm	
45	LV34439-001A	TUNER HOLDER		
46	QYSDSF3010ZA	TAP SCREW	M3 x 10mm(x3)	
47	LV42035-002A	LASER CAUTION		
48	PU59915-105	SPACER		
49	LV43597-001A	FOOT	(x4)	
50	LV43602-001A	FOOT FELT	(x8)	
51	QYSDST3006MA	TAP SCREW	M3 x 6mm(x4)	
52	LV10845-004A	TOP COVER		
53	LV30225-0R2A	SPACER	(x10)	
54	LV30226-043A	SPACER	(x2)	
55	LV34436-001A	BRIDGE A		
56	QYSSSG3008EA	TAP SCREW	M3 x 8mm(x2)	
57	QYSDSF3010MA	TAP SCREW	M3 x 10mm(x2)	
58	LV34437-001A	BRIDGE B		
59	QYSSSG3008EA	TAP SCREW	M3 x 8mm(x2)	
60	LV34438-002A	BRIDGE C		
61	LV30225-011A	SPACER	(x2)	
62	QYSSSG3008EA	TAP SCREW	M3 x 8mm(x2)	
63	GN30007-003A	SPACER	(x2)	
64	LV43598-002A	SPECIAL SCREW	(x4)	
65	LV21947-026A	REAR PANEL		A5MK2EE
65	LV21947-025A	REAR PANEL		A5MK2B,A5MK2E,A5MK2EN,A5MK2EV
66	QYSBSGY3008EA	TAP SCREW	M3 x 8mm(x10)	
67	QYSBSF3008MA	TAP SCREW	M3 x 8mm	
68	QYSBSGY3008EA	TAP SCREW	M3 x 8mm(x3)	
69	QYSBSGY3008EA	TAP SCREW	M3 x 8mm(x3)	
70	QYSBSGY3008EA	TAP SCREW	M3 x 8mm(x6)	
71	LV43614-001A	LABEL		
72	LV44233-001A	LABEL		
73	QAU0347-001	TUNER		



△	Symbol No.	Part No.	Part Name	Description	Local
△	74	QAL0511-008	SW POWER UNIT		
△	75	QMF51W2-6R3-J8	FUSE	6.3A AC250V	
	76	LV41385-016A	T6R3 FUSE LABEL		
	77	QUQ110-1917AJ	FFC WIRE	19pin 17cm	
	78	QUQ110-0510AJ	FFC WIRE	5pin 10cm	
	79	QUQ110-1719AJ	FFC WIRE	17pin 19cm	
	80	QUQ412-2110CJ	FFC WIRE	21pin 10cm	
	81	QUQ412-1111CJ	FFC WIRE	11pin 11cm	
	82	QUQ412-1310CJ	FFC WIRE	13pin 10cm	

# Speaker assembly and parts list

Block No. **M 2 M M**



The parts without symbol number are not service.

## Speaker

Block No. **[M][2][M][M]**

△ Symbol No.	Part No.	Part Name	Description	Local
1	1030004611	TERMINAL	(x2)	
2	5600008001	HOLDER	(x4)	
3	5800023731	LATCH	(x4)	
4	E75939-222	JVC MARK		
5	6500025301	FELT RING		
6	6700016101	BOARD ASSY		
7	7008142004	TAPPING SCREW	(x8)	
8	7001541606	TAPPING SCREW	(x4)	
9	7001841606	TAPPING SCREW	(x4)	
10	9000005351	FOOT(FRONT/SURROUND)	(x4)	
11	9910008001	NET ASSY		
12	KK030003-01	DOME SPEAKER		
13	KK100006-01	CONE SPEAKER		

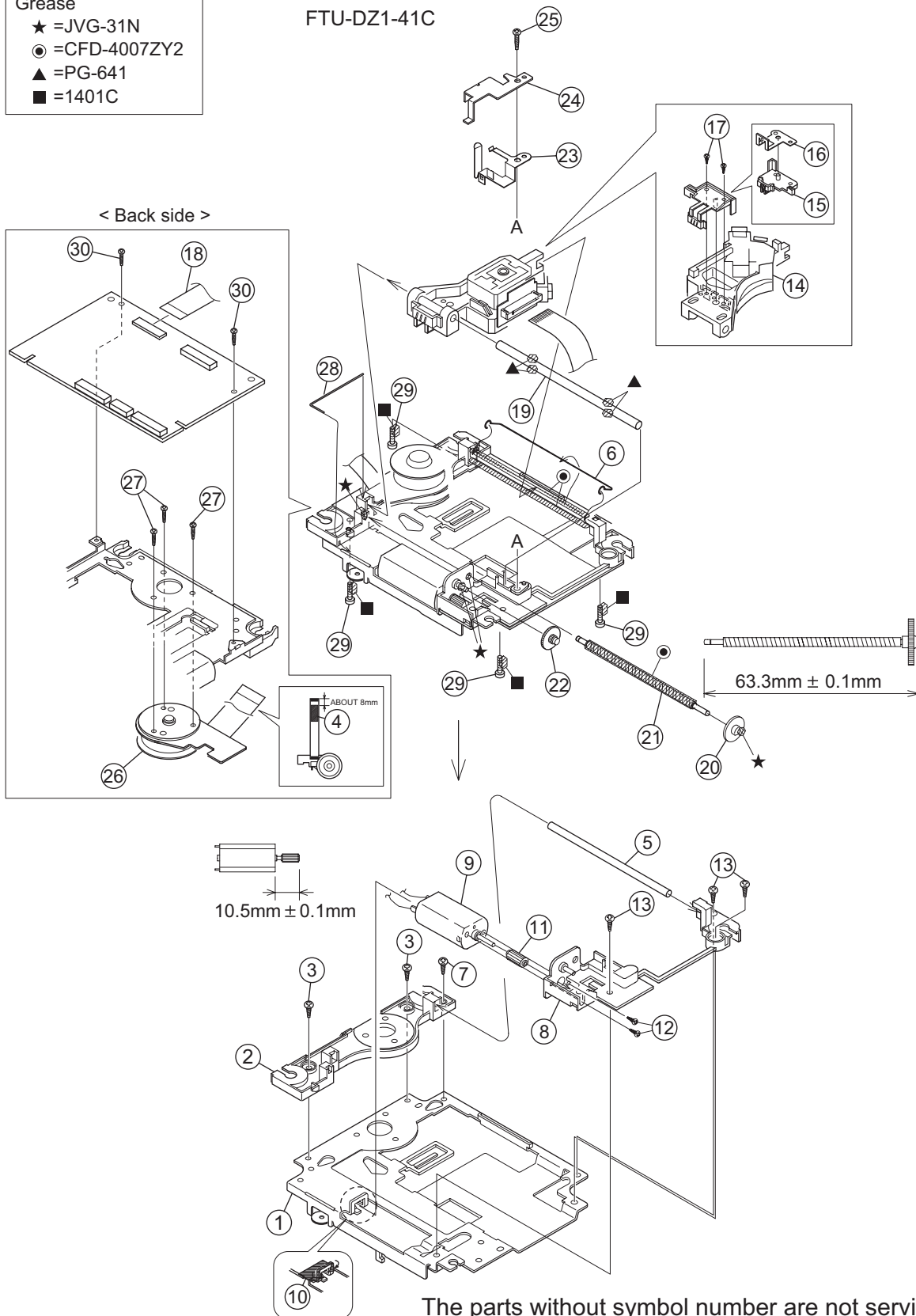
**<MEMO>**

# DVD mechanism assembly and parts list

- Grease
- ★ =JVG-31N
  - ◎ =CFD-4007ZY2
  - ▲ =PG-641
  - =1401C

FTU-DZ1-41C

Block No. M J M M



The parts without symbol number are not service.

# DVD mechanism

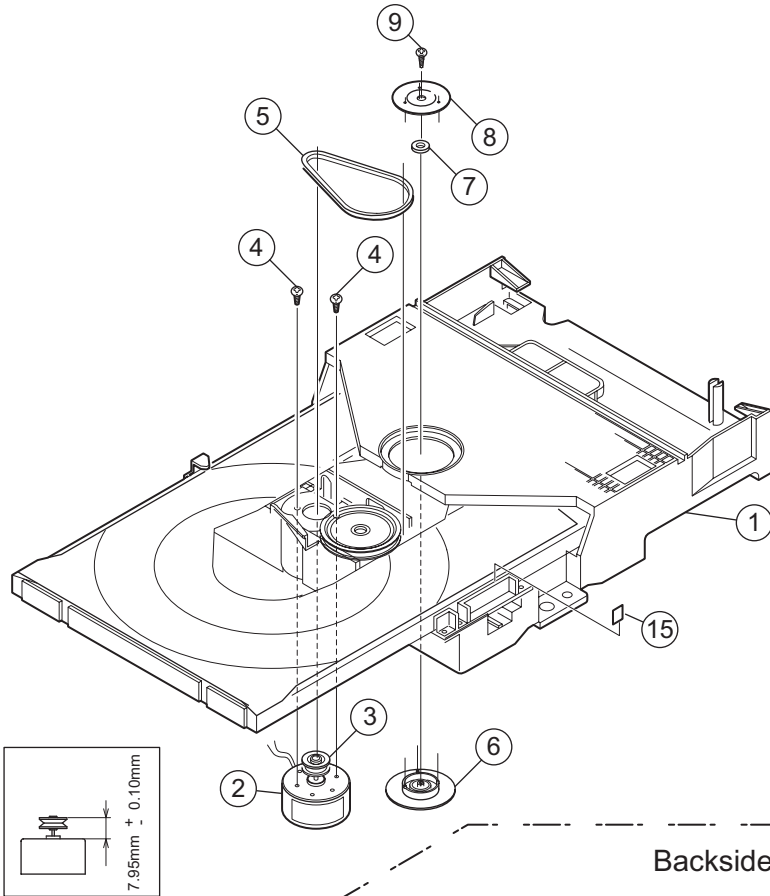
Block No. [M][J][M][M]

△	Symbol No.	Part No.	Part Name	Description	Local
	1	LV21814-001A	MECHA BASE		
	2	LE20731-002A	SPINDLE BASE		
	3	QYSDST2605MA	TAP SCREW	M2.6 x 5mm(x2)	
	4	LV30225-0X6A	SPACER		
	5	LE40931-001A	SHAFT		
	6	LE40995-001A	BAR SPRING		
	7	QYSPSTU2080MA	TAP SCREW	M2 x 8mm	
	8	LE20730-002A	FEED HOLDER		
	9	QAR0165-001	FEED MOTOR		
	10	LV30225-0X5A	SPACER		
	11	LV41510-001A	FEED GEAR T		
	12	QYSPSPU2040MA	SCREW	M2 x 4mm(x2)	
	13	QYSDST2605MA	TAP SCREW	M2.6 x 5mm(x3)	
△	14	QAL0577-001	P.UP		
	15	LE20732-001A	SW ACTUATOR		
	16	LE31093-001A	LEAD SPRING		
	17	QYSPSFU1740ZA	TAP SCREW	M1.7 x 4mm(x2)	
	18	QUQ105-2412AC	FFC WIRE	24pin 12cm	
	19	LE40931-001A	SHAFT		
	20	LE40855-002A	FEED GEAR E		
	21	LV41517-003A	LEAD SCREW		
	22	LE40930-001A	FEED GEAR M		
	23	LE40928-002A	THURUST SPRING		
	24	LE40927-002A	PLATE		
	25	QYSDST2614ZA	TAP SCREW	M2.6 x 14mm	
	26	QAR0334-001	S.MOTOR		
	27	QYSPSPU1760ZA	SCREW	M1.7 x 6mm(x3)	
	28	LE40994-001A	T.SPRING		
	29	LE40858-002A	SPECIAL SCREW	(x4)	
	30	QYSDST2004ZA	TAP SCREW	M2 x 4mm(x2)	

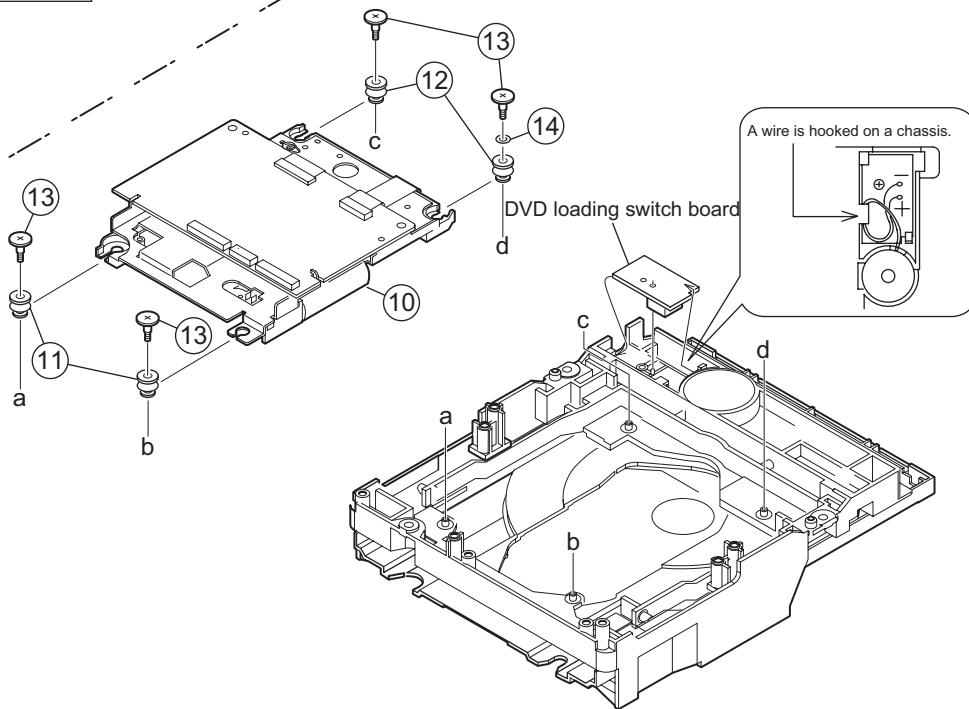
# DVD loading base assembly and parts list

FMU-DZ1-41C

Block No. M N M M



Backside



The parts without symbol number are not service.

# DVD loading base

Block No. [M][N][M][M]

△	Symbol No.	Part No.	Part Name	Description	Local
	1	LE10283-014A	LOADER SUB ASSY		
	2	QAR0197-001	MOTOR		
	3	LV42087-002A	MOTOR PULLEY		
	4	QYSPSPU1730ZA	SCREW	M1.7 x 3mm(x2)	
	5	LE40897-001A	BELT		
	6	LE31046-003A	CLAMPER		
	7	LV42930-003A	P.C.MAGNET		
	8	LE40899-001A	YOKE		
	9	LE40906-002A	SPECIAL SCREW		
	10	-----	DVD TRAMECHA UN		
	11	LE40900-003A	INSULATOR	(x2)	
	12	LE40900-005A	INSULATOR	(x2)	
	13	LE40901-002A	SPECIAL SCREW	(x4)	
	14	QYWFM419025	WASHER	9mm/4.1mm x 0.25mm	
	15	LV30225-0S5A	SPACER		

# Electrical parts list

## Main board

Block No. [0][1]

△ Symbol No.	Part No.	Part Name	Description	Local
△ IC201	RDS035L03-X	MOS FET		
	IC202	UPC339G2-W	IC	
△ IC221	RHP030N03-W	IC		
	IC231	TC74VHC74F-X	IC	
	IC232	TC74VHC14F-X	IC	
△ IC241	TPC8010-H-X	POWER MOS FET		
△ IC271	KIA78R05API	IC		
	IC431	NJM4565M-W	IC	
	IC451	BD3870FS-X	IC	
	IC471	NJM4565M-W	IC	
	IC491	BA3121F-X	IC	
	IC801	GP1UM261XKVF	IR DETECT UNIT	
	Q2001	2SA1530A/QR/-X	TRANSISTOR	
	Q2002	2SC3928A/QR/-X	TRANSISTOR	
	Q2003	2SC3928A/QR/-X	TRANSISTOR	
	Q2011	2SC3928A/QR/-X	TRANSISTOR	
	Q2012	2SA1530A/QR/-X	TRANSISTOR	
	Q2013	2SC3928A/QR/-X	TRANSISTOR	
	Q2111	2SC3928A/QR/-X	TRANSISTOR	
	Q2112	2SA1530A/QR/-X	TRANSISTOR	
	Q2113	2SC3928A/QR/-X	TRANSISTOR	
	Q2211	2SC3928A/QR/-X	TRANSISTOR	
	Q2212	2SA1530A/QR/-X	TRANSISTOR	
	Q2213	2SC3928A/QR/-X	TRANSISTOR	
	Q2301	2SC3928A/QR/-X	TRANSISTOR	
	Q2302	2SA1530A/QR/-X	TRANSISTOR	
	Q2303	2SC3928A/QR/-X	TRANSISTOR	
	Q2304	2SA1530A/QR/-X	TRANSISTOR	
	Q2401	UN2113-X	DIGI TRANSISTOR	
	Q2403	UN221E-X	TRANSISTOR	
	Q2404	2SC3928A/QR/-X	TRANSISTOR	
	Q2407	UN2211-X	TRANSISTOR	
	Q2408	UN2113-X	DIGI TRANSISTOR	
	Q2409	UN2113-X	DIGI TRANSISTOR	
	Q2410	2SA1530A/QR/-X	TRANSISTOR	
	Q2411	2SA1530A/QR/-X	TRANSISTOR	
	Q2412	2SA1530A/QR/-X	TRANSISTOR	
	Q2421	2SA1530A/QR/-X	TRANSISTOR	
	Q2422	2SC3928A/QR/-X	TRANSISTOR	
	Q2601	2SA1530A/QR/-X	TRANSISTOR	
	Q2701	KTB772/Y/	TRANSISTOR	
	Q2702	2SC3928A/QR/-X	TRANSISTOR	
	Q2801	2SA1530A/QR/-X	TRANSISTOR	
	Q2802	2SC3928A/QR/-X	TRANSISTOR	
	Q2803	KTC3203/OY/-T	TRANSISTOR	
△ Q2805	KTB772/Y/	TRANSISTOR		
	Q4191	2SC3928A/QR/-X	TRANSISTOR	
	Q4192	2SA1530A/QR/-X	TRANSISTOR	
	Q4291	2SC3928A/QR/-X	TRANSISTOR	
	Q4292	2SA1530A/QR/-X	TRANSISTOR	
	Q4311	2SC3928A/QR/-X	TRANSISTOR	
	Q4312	UN211E-X	DIGI TRANSISTOR	
	Q4313	2SC3661-X	TRANSISTOR	
	Q4359	2SC3661-X	TRANSISTOR	
	Q4371	2SC3928A/QR/-X	TRANSISTOR	
	Q4372	2SC3928A/QR/-X	TRANSISTOR	
	Q4373	2SC3928A/QR/-X	TRANSISTOR	
	Q6031	UN2111-X	TRANSISTOR	
	Q6032	UN2214-X	TRANSISTOR	
	Q8001	UN2111-X	TRANSISTOR	
	D2001	1SS133-T2	SI DIODE	
	D2011	1SS133-T2	SI DIODE	
	D2012	1SS133-T2	SI DIODE	
	D2013	RB161L-40-X	SB DIODE	
	D2014	MTZJ5.6A-T2	Z DIODE	
	D2015	1SS133-T2	SI DIODE	
	D2112	1SS133-T2	SI DIODE	
	D2113	RB161L-40-X	SB DIODE	
	D2114	MTZJ10B-T2	Z DIODE	
	D2115	1SS133-T2	SI DIODE	

△ Symbol No.	Part No.	Part Name	Description	Local
	D2116	1SS133-T2	SI DIODE	
	D2212	1SS133-T2	SI DIODE	
	D2213	RB161L-40-X	SB DIODE	
	D2231	MTZJ5.1B-T2	Z DIODE	
	D2301	MTZJ5.1B-T2	Z DIODE	
	D2302	1SS133-T2	SI DIODE	
	D2403	MTZJ15B-T2	Z DIODE	
	D2404	MTZJ5.1B-T2	Z DIODE	
	D2405	MTZJ8.2B-T2	Z DIODE	
	D2406	MTZJ12B-T2	Z DIODE	
	D2407	1SS133-T2	SI DIODE	
	D2408	MTZJ24B-T2	Z DIODE	
	D2421	MTZJ24B-T2	Z DIODE	
	D2422	MA111-X	SI DIODE	
	D2503	MTZJ5.1B-T2	Z DIODE	
	D2601	1SS133-T2	SI DIODE	
	D2701	MTZJ5.1A-T2	Z DIODE	
	D2801	MTZJ5.1C-T2	Z DIODE	
	D2802	1SS133-T2	SI DIODE	
	D4371	1SS133-T2	SI DIODE	
	D4372	MTZJ5.1A-T2	Z DIODE	
	D8001	SLR-343VC/NPQ-T	LED	
	C2001	NCB31CK-683X	C CAPACITOR	0.068uF 16V K
	C2002	NCS31HJ-471X	C CAPACITOR	470pF 50V J
	C2003	NCB31HK-471X	C CAPACITOR	470pF 50V K
	C2004	QETN1HM-106Z	E CAPACITOR	10uF 50V M
	C2011	NCB31CK-333X	C CAPACITOR	0.033uF 16V K
	C2012	QETN1CM-477Z	E CAPACITOR	470uF 16V M
	C2013	NCB31CK-103X	C CAPACITOR	0.01uF 16V K
	C2103	NCB31HK-102X	C CAPACITOR	1000pF 50V K
	C2104	QETN1HM-106Z	E CAPACITOR	10uF 50V M
	C2111	NCB31CK-333X	C CAPACITOR	0.033uF 16V K
	C2112	QETN1CM-477Z	E CAPACITOR	470uF 16V M
	C2113	NCB31CK-103X	C CAPACITOR	0.01uF 16V K
	C2203	NCB31HK-102X	C CAPACITOR	1000pF 50V K
	C2204	QETN1HM-106Z	E CAPACITOR	10uF 50V M
	C2211	NCB31CK-333X	C CAPACITOR	0.033uF 16V K
	C2212	QETN1CM-227Z	E CAPACITOR	220uF 16V M
	C2231	QETN0JM-108Z	E CAPACITOR	1000uF 6.3V M
	C2301	NCS31HJ-102X	C CAPACITOR	1000pF 50V J
	C2302	NCB31CK-683X	C CAPACITOR	0.068uF 16V K
	C2303	NDC31HJ-391X	C CAPACITOR	390pF 50V J
	C2304	NCB31HK-331X	C CAPACITOR	330pF 50V K
	C2402	QER61EM-476Z	E CAPACITOR	47uF 25V M
	C2404	QEZ0536-828	E CAPACITOR	8200uF
	C2406	NCB31CK-333X	C CAPACITOR	0.033uF 16V K
	C2407	QTE1E06-476Z	E CAPACITOR	47uF 25V
	C2408	QFG32AJ-473	PP CAPACITOR	0.047uF 100V J
	C2409	QTE1E06-476Z	E CAPACITOR	47uF 25V
	C2421	QETN1EM-227Z	E CAPACITOR	220uF 25V M
	C2422	QETN1HM-226Z	E CAPACITOR	22uF 50V M
	C2423	QETN1HM-226Z	E CAPACITOR	22uF 50V M
	C2503	QETN1CM-477Z	E CAPACITOR	470uF 16V M
	C2701	NCB31HK-103X	C CAPACITOR	0.01uF 50V K
	C2711	QTE1E06-476Z	E CAPACITOR	47uF 25V
	C2712	QETN1EM-475Z	E CAPACITOR	4.7uF 25V M
	C2713	QTE1E06-476Z	E CAPACITOR	47uF 25V
	C2714	QTE1E06-476Z	E CAPACITOR	47uF 25V
	C2801	NCB31HK-103X	C CAPACITOR	0.01uF 50V K
	C2802	NCB31HK-103X	C CAPACITOR	0.01uF 50V K
	C2803	QETN1EM-476Z	E CAPACITOR	47uF 25V M
	C2805	QETN1EM-476Z	E CAPACITOR	47uF 25V M
	C4125	NCS31HJ-221X	C CAPACITOR	220pF 50V J
	C4126	NCS31HJ-221X	C CAPACITOR	220pF 50V J
	C4131	QFG32AJ-102Z	PP CAPACITOR	1000pF 100V J
	C4132	QFG32AJ-122Z	PP CAPACITOR	1200pF 100V J
	C4134	QTE1E06-226Z	E CAPACITOR	22uF 25V
	C4137	QFG32AJ-392Z	PP CAPACITOR	3900pF 100V J
	C4151	QTE1V06-106Z	E CAPACITOR	10uF 35V
	C4153	QFG32AJ-222Z	PP CAPACITOR	2200pF 100V J
	C4154	QFVF1HJ-104Z	MF CAPACITOR	0.1uF 50V J
	C4155	QFVF1HJ-104Z	MF CAPACITOR	0.1uF 50V J
	C4156	QTE1H15-106Z	E CAPACITOR	10uF 50V
	C4157	QETN1HM-106Z	E CAPACITOR	10uF 50V M
	C4158	QETN1HM-106Z	E CAPACITOR	10uF 50V M



△ Symbol No.	Part No.	Part Name	Description	Local	△ Symbol No.	Part No.	Part Name	Description	Local
C4159	QETN1HM-106Z	E CAPACITOR	10uF 50V M		R2002	NRSA63J-223X	MG RESISTOR	22kΩ 1/16W J	
C4172	QFVF1HJ-274Z	MF CAPACITOR	0.27uF 50V J		R2003	NRSA63J-101X	MG RESISTOR	100Ω 1/16W J	
C4173	QFG32AJ-473	PP CAPACITOR	0.047uF 100V J		R2004	NRSA63J-822X	MG RESISTOR	8.2kΩ 1/16W J	
C4174	QFG32AJ-473	PP CAPACITOR	0.047uF 100V J		R2005	NRSA63J-103X	MG RESISTOR	10kΩ 1/16W J	
C4175	QTE1V06-106Z	E CAPACITOR	10uF 35V		R2006	NRSA63J-103X	MG RESISTOR	10kΩ 1/16W J	
C4191	QTE1V06-106Z	E CAPACITOR	10uF 35V		R2007	NRSA63J-123X	MG RESISTOR	12kΩ 1/16W J	
C4192	QTE1V06-106Z	E CAPACITOR	10uF 35V		R2008	NRSA63J-273X	MG RESISTOR	27kΩ 1/16W J	
C4225	NCS31HJ-221X	C CAPACITOR	220pF 50V J		R2009	NRSA63J-102X	MG RESISTOR	1kΩ 1/16W J	
C4226	NCS31HJ-221X	C CAPACITOR	220pF 50V J		R2010	NRSA63J-102X	MG RESISTOR	1kΩ 1/16W J	
C4231	QFG32AJ-102Z	PP CAPACITOR	1000pF 100V J		R2012	NRSA63J-101X	MG RESISTOR	100Ω 1/16W J	
C4232	QFG32AJ-122Z	PP CAPACITOR	1200pF 100V J		R2013	NRSA63J-472X	MG RESISTOR	4.7kΩ 1/16W J	
C4234	QTE1E06-226Z	E CAPACITOR	22uF 25V		R2014	NRSA63J-101X	MG RESISTOR	100Ω 1/16W J	
C4237	QFG32AJ-392Z	PP CAPACITOR	3900pF 100V J		R2015	NRSA63J-470X	MG RESISTOR	47Ω 1/16W J	
C4251	QTE1V06-106Z	E CAPACITOR	10uF 35V		R2016	NRSA63J-221X	MG RESISTOR	220Ω 1/16W J	
C4253	QFG32AJ-222Z	PP CAPACITOR	2200pF 100V J		R2017	NRSA63J-222X	MG RESISTOR	2.2kΩ 1/16W J	
C4254	QFVF1HJ-104Z	MF CAPACITOR	0.1uF 50V J		R2018	NRSA63J-222X	MG RESISTOR	2.2kΩ 1/16W J	
C4255	QFVF1HJ-104Z	MF CAPACITOR	0.1uF 50V J		R2019	NRSA63J-103X	MG RESISTOR	10kΩ 1/16W J	
C4256	QTE1H15-106Z	E CAPACITOR	10uF 50V		R2104	NRSA63J-103X	MG RESISTOR	10kΩ 1/16W J	
C4257	QETN1HM-106Z	E CAPACITOR	10uF 50V M		R2105	NRSA63J-103X	MG RESISTOR	10kΩ 1/16W J	
C4258	QETN1HM-106Z	E CAPACITOR	10uF 50V M		R2108	NRSA63J-682X	MG RESISTOR	6.8kΩ 1/16W J	
C4259	QETN1HM-106Z	E CAPACITOR	10uF 50V M		R2112	NRSA63J-101X	MG RESISTOR	100Ω 1/16W J	
C4272	QFVF1HJ-274Z	MF CAPACITOR	0.27uF 50V J		R2113	NRSA63J-472X	MG RESISTOR	4.7kΩ 1/16W J	
C4273	QFG32AJ-473	PP CAPACITOR	0.047uF 100V J		R2114	NRSA63J-101X	MG RESISTOR	100Ω 1/16W J	
C4274	QFG32AJ-473	PP CAPACITOR	0.047uF 100V J		R2115	NRSA63J-470X	MG RESISTOR	47Ω 1/16W J	
C4275	QTE1V06-106Z	E CAPACITOR	10uF 35V		R2116	NRSA63J-221X	MG RESISTOR	220Ω 1/16W J	
C4291	QTE1V06-226Z	E CAPACITOR	22uF 35V		R2117	NRSA63J-222X	MG RESISTOR	2.2kΩ 1/16W J	
C4292	QTE1V06-106Z	E CAPACITOR	10uF 35V		R2118	NRSA63J-222X	MG RESISTOR	2.2kΩ 1/16W J	
C4312	QETN1HM-106Z	E CAPACITOR	10uF 50V M		R2119	NRSA63J-224X	MG RESISTOR	220kΩ 1/16W J	
C4313	NCB31CK-104X	C CAPACITOR	0.1uF 16V K		R2204	NRSA63J-103X	MG RESISTOR	10kΩ 1/16W J	
C4314	NCB31CK-104X	C CAPACITOR	0.1uF 16V K		R2205	NRSA63J-103X	MG RESISTOR	10kΩ 1/16W J	
C4315	NCF21CZ-105X	C CAPACITOR	1uF 16V Z		R2206	NRSA63J-123X	MG RESISTOR	12kΩ 1/16W J	
C4316	NCB31CK-103X	C CAPACITOR	0.01uF 16V K		R2207	NRSA63J-273X	MG RESISTOR	27kΩ 1/16W J	
C4317	NCB31CK-103X	C CAPACITOR	0.01uF 16V K		R2212	NRSA63J-101X	MG RESISTOR	100Ω 1/16W J	
C4331	QETN1EM-107Z	E CAPACITOR	100uF 25V M		R2213	NRSA63J-222X	MG RESISTOR	2.2kΩ 1/16W J	
C4332	QTE1E06-476Z	E CAPACITOR	47uF 25V		R2214	NRSA63J-101X	MG RESISTOR	100Ω 1/16W J	
C4333	QCZ0202-155Z	C CAPACITOR	1.5uF 25V Z		R2215	NRSA63J-470X	MG RESISTOR	47Ω 1/16W J	
C4351	QETN1CM-107Z	E CAPACITOR	100uF 16V M		R2216	NRSA63J-471X	MG RESISTOR	470Ω 1/16W J	
C4352	QTE1E06-476Z	E CAPACITOR	47uF 25V		R2217	NRSA63J-472X	MG RESISTOR	4.7kΩ 1/16W J	
C4353	QFVF1HJ-334Z	MF CAPACITOR	0.33uF 50V J		R2218	NRSA63J-223X	MG RESISTOR	22kΩ 1/16W J	
C4359	QETN1CM-476Z	E CAPACITOR	47uF 16V M		R2219	NRSA63J-273X	MG RESISTOR	27kΩ 1/16W J	
C4371	QETN1CM-107Z	E CAPACITOR	100uF 16V M		R2301	NRSA63J-105X	MG RESISTOR	1MΩ 1/16W J	
C4372	QETN1HM-106Z	E CAPACITOR	10uF 50V M		R2302	NRSA63J-103X	MG RESISTOR	10kΩ 1/16W J	
C4373	QFVF1HJ-684Z	MF CAPACITOR	0.68uF 50V J		R2303	NRSA63J-101X	MG RESISTOR	100Ω 1/16W J	
C4374	QTE1C05-227	E CAPACITOR	220uF 16V		R2305	NRSA63J-363X	MG RESISTOR	36kΩ 1/16W J	
C4391	QETN1CM-227Z	E CAPACITOR	220uF 16V M		R2306	NRSA63J-104X	MG RESISTOR	100kΩ 1/16W J	
C4392	QETN1EM-476Z	E CAPACITOR	47uF 25V M		R2307	NRSA63J-104X	MG RESISTOR	100kΩ 1/16W J	
C6031	NCS31HJ-181X	C CAPACITOR	180pF 50V J		R2308	NRSA63J-203X	MG RESISTOR	20kΩ 1/16W J	
C6032	NCB31HK-181X	C CAPACITOR	180pF 50V K	A5MK 2B,A5 MK2E	R2311	NRSA63J-105X	MG RESISTOR	1MΩ 1/16W J	
C6032	NCS31HJ-181X	C CAPACITOR	180pF 50V J		R2312	NRSA63J-103X	MG RESISTOR	10kΩ 1/16W J	
C6033	NCB31HK-181X	C CAPACITOR	180pF 50V K	A5MK 2B,A5 MK2E .A5M K2EE	R2313	NRSA63J-104X	MG RESISTOR	100kΩ 1/16W J	
C6033	NCS31HJ-181X	C CAPACITOR	180pF 50V J		R2314	NRSA63J-104X	MG RESISTOR	100kΩ 1/16W J	
C6034	NCB31HK-181X	C CAPACITOR	180pF 50V K	A5MK 2B,A5 MK2E	R2315	NRSA63J-183X	MG RESISTOR	18kΩ 1/16W J	
C6034	NCS31HJ-181X	C CAPACITOR	180pF 50V J		R2316	NRSA63J-473X	MG RESISTOR	47kΩ 1/16W J	
C6035	QETN0JM-477Z	E CAPACITOR	470uF 6.3V M		R2317	NRSA63J-103X	MG RESISTOR	10kΩ 1/16W J	
C6036	QETN0JM-477Z	E CAPACITOR	470uF 6.3V M		R2402	NRSA63J-473X	MG RESISTOR	47kΩ 1/16W J	
C6037	NCB31HK-103X	C CAPACITOR	0.01uF 50V K		R2403	NRSA63J-563X	MG RESISTOR	56kΩ 1/16W J	
C6038	QETN0JM-477Z	E CAPACITOR	470uF 6.3V M		R2404	NRSA63J-103X	MG RESISTOR	10kΩ 1/16W J	
C6039	QETN0JM-477Z	E CAPACITOR	470uF 6.3V M		R2405	NRSA63J-103X	MG RESISTOR	10kΩ 1/16W J	
C6040	NCB31HK-103X	C CAPACITOR	0.01uF 50V K		R2406	NRSA63J-333X	MG RESISTOR	33kΩ 1/16W J	
C8001	NCB31HK-102X	C CAPACITOR	1000pF 50V K		R2407	QRE141J-391Y	C RESISTOR	390Ω 1/4W J	
C8002	QER61CM-226Z	E CAPACITOR	22uF 16V M		R2411	QRT01DJ-R47X-M	MF RESISTOR	0.47Ω 1W J	
C8101	NCF21HZ-104X	C CAPACITOR	0.1uF 50V Z		R2412	NRSA63J-472X	MG RESISTOR	4.7kΩ 1/16W J	
C8103	NCS31HJ-101X	C CAPACITOR	100pF 50V J		R2413	NRSA63J-224X	MG RESISTOR	220kΩ 1/16W J	
C8104	QER61CM-107Z	E CAPACITOR	100uF 16V M		R2416	QRE141J-102Y	C RESISTOR	1kΩ 1/4W J	
C8105	NCB31EK-104X	C CAPACITOR	0.1uF 25V K		R2421	NRSA63J-273X	MG RESISTOR	27kΩ 1/16W J	
C8106	NCB31EK-104X	C CAPACITOR	0.1uF 25V K		R2422	NRSA63J-103X	MG RESISTOR	10kΩ 1/16W J	
C8107	NCS31HJ-101X	C CAPACITOR	100pF 50V J		R2423	NRSA63J-432X	MG RESISTOR	4.3kΩ 1/16W J	
C8108	NCS31HJ-101X	C CAPACITOR	100pF 50V J		R2441	NRSA63J-103X	MG RESISTOR	10kΩ 1/16W J	
C8109	NCS31HJ-101X	C CAPACITOR	100pF 50V J		R2442	NRSA63J-103X	MG RESISTOR	10kΩ 1/16W J	
R2001	NRSA63J-225X	MG RESISTOR	2.2MΩ 1/16W J		R2443	NRSA63J-472X	MG RESISTOR	4.7kΩ 1/16W J	
					R2444	NRSA63J-103X	MG RESISTOR	10kΩ 1/16W J	
					R2445	NRSA63J-102X	MG RESISTOR	1kΩ 1/16W J	
					R2446	NRSA63J-223X	MG RESISTOR	22kΩ 1/16W J	
					R2447	NRSA63J-104X	MG RESISTOR	100kΩ 1/16W J	
					R2448	NRSA63J-103X	MG RESISTOR	10kΩ 1/16W J	
					R2449	NRSA63J-103X	MG RESISTOR	10kΩ 1/16W J	
					R2450	NRSA63J-103X	MG RESISTOR	10kΩ 1/16W J	
					R2505	NRSA63J-512X	MG RESISTOR	5.1kΩ 1/16W J	

△ Symbol No.	Part No.	Part Name	Description	Local	△ Symbol No.	Part No.	Part Name	Description	Local
R2506	NRSA63J-153X	MG RESISTOR	15kΩ 1/16W J		R4293	NRSA63J-222X	MG RESISTOR	2.2kΩ 1/16W J	
R2602	NRSA63J-183X	MG RESISTOR	18kΩ 1/16W J		R4311	NRSA63J-102X	MG RESISTOR	1kΩ 1/16W J	
R2603	NRSA63J-183X	MG RESISTOR	18kΩ 1/16W J		R4312	NRSA63J-102X	MG RESISTOR	1kΩ 1/16W J	
R2604	NRSA63J-332X	MG RESISTOR	3.3kΩ 1/16W J		R4313	NRSA63J-222X	MG RESISTOR	2.2kΩ 1/16W J	
R2701	NRSA63J-471X	MG RESISTOR	470Ω 1/16W J		R4314	NRSA63J-223X	MG RESISTOR	22kΩ 1/16W J	
R2705	NRSA63J-103X	MG RESISTOR	10kΩ 1/16W J		R4315	NRSA63J-473X	MG RESISTOR	47kΩ 1/16W J	
R2706	NRSA63J-392X	MG RESISTOR	3.9kΩ 1/16W J		R4331	QRE141J-101Y	C RESISTOR	100Ω 1/4W J	
R2712	NRSA63J-222X	MG RESISTOR	2.2kΩ 1/16W J		R4332	NRSA63J-822X	MG RESISTOR	8.2kΩ 1/16W J	
R2715	NRSA63J-103X	MG RESISTOR	10kΩ 1/16W J		R4333	NRSA63J-562X	MG RESISTOR	5.6kΩ 1/16W J	
R2716	NRSA63J-103X	MG RESISTOR	10kΩ 1/16W J		R4351	QRE141J-101Y	C RESISTOR	100Ω 1/4W J	
R2723	QRE141J-221Y	C RESISTOR	220Ω 1/4W J		R4358	NRSA63J-471X	MG RESISTOR	470Ω 1/16W J	
R2801	NRSA63J-104X	MG RESISTOR	100kΩ 1/16W J		R4359	QRZ9006-4R7X	F.RESISTOR	4.7Ω 1/4W J	
R2802	NRSA63J-473X	MG RESISTOR	47kΩ 1/16W J		R4371	QRE141J-101Y	C RESISTOR	100Ω 1/4W J	
R2803	NRSA63J-103X	MG RESISTOR	10kΩ 1/16W J		R4372	NRSA63J-513X	MG RESISTOR	51kΩ 1/16W J	
R2804	QRE141J-101Y	C RESISTOR	100Ω 1/4W J		R4373	NRSA63J-103X	MG RESISTOR	10kΩ 1/16W J	
R2805	NRSA63J-561X	MG RESISTOR	560Ω 1/16W J		R4374	NRSA63J-103X	MG RESISTOR	10kΩ 1/16W J	
R2806	NRSA63J-331X	MG RESISTOR	330Ω 1/16W J		R4375	NRSA63J-271X	MG RESISTOR	270Ω 1/16W J	
R2807	NRSA63J-562X	MG RESISTOR	5.6kΩ 1/16W J		R4376	NRSA63J-104X	MG RESISTOR	100kΩ 1/16W J	
R2808	NRSA63J-222X	MG RESISTOR	2.2kΩ 1/16W J		R4377	NRSA63J-152X	MG RESISTOR	1.5kΩ 1/16W J	
R2811	NRSA63J-103X	MG RESISTOR	10kΩ 1/16W J		R4391	QRE141J-101Y	C RESISTOR	100Ω 1/4W J	
R2812	NRSA63J-123X	MG RESISTOR	12kΩ 1/16W J		R4392	NRSA63J-512X	MG RESISTOR	5.1kΩ 1/16W J	
R4121	NRSA63J-473X	MG RESISTOR	47kΩ 1/16W J		R4393	NRSA63J-0R0X	MG RESISTOR	0Ω 1/16W J	
R4125	NRSA63J-153X	MG RESISTOR	15kΩ 1/16W J		R4394	NRSA63J-153X	MG RESISTOR	15kΩ 1/16W J	
R4126	NRSA63J-124X	MG RESISTOR	120kΩ 1/16W J		R4395	NRSA63J-222X	MG RESISTOR	2.2kΩ 1/16W J	
R4131	NRSA63J-152X	MG RESISTOR	1.5kΩ 1/16W J		R4396	NRSA63J-222X	MG RESISTOR	2.2kΩ 1/16W J	
R4133	NRSA63D-472X	MG RESISTOR	4.7kΩ 1/16W D		R4397	NRSA63J-122X	MG RESISTOR	1.2kΩ 1/16W J	
R4134	NRSA63J-182X	MG RESISTOR	1.8kΩ 1/16W J		R4398	NRSA63J-683X	MG RESISTOR	68kΩ 1/16W J	
R4135	NRSA63J-183X	MG RESISTOR	18kΩ 1/16W J		R6031	NRSA63J-151X	MG RESISTOR	150Ω 1/16W J	
R4136	NRSA63J-103X	MG RESISTOR	10kΩ 1/16W J		R6032	NRSA63J-151X	MG RESISTOR	150Ω 1/16W J	
R4137	NRSA63J-562X	MG RESISTOR	5.6kΩ 1/16W J		R6033	NRSA63J-104X	MG RESISTOR	100kΩ 1/16W J	
R4138	NRSA63J-273X	MG RESISTOR	27kΩ 1/16W J		R6034	NRSA63J-750X	MG RESISTOR	75Ω 1/16W J	
R4139	NRSA63J-152X	MG RESISTOR	1.5kΩ 1/16W J		R6035	NRSA63J-101X	MG RESISTOR	100Ω 1/16W J	
R4150	NRSA63J-0R0X	MG RESISTOR	0Ω 1/16W J		R6036	NRSA63J-103X	MG RESISTOR	10kΩ 1/16W J	
R4151	NRSA63J-682X	MG RESISTOR	6.8kΩ 1/16W J		R6037	NRSA63J-750X	MG RESISTOR	75Ω 1/16W J	
R4152	NRSA63J-183X	MG RESISTOR	18kΩ 1/16W J		R6038	NRSA63J-750X	MG RESISTOR	75Ω 1/16W J	
R4153	NRSA63J-394X	MG RESISTOR	390kΩ 1/16W J		R6039	NRSA63J-750X	MG RESISTOR	75Ω 1/16W J	
R4154	NRSA63J-562X	MG RESISTOR	5.6kΩ 1/16W J		R8001	NRSA63J-561X	MG RESISTOR	560Ω 1/16W J	
R4171	NRSA63J-182X	MG RESISTOR	1.8kΩ 1/16W J		R8101	QRE141J-2R2Y	C RESISTOR	2.2Ω 1/4W J	
R4172	NRSA63J-154X	MG RESISTOR	150kΩ 1/16W J		R8201	NRSA63J-332X	MG RESISTOR	3.3kΩ 1/16W J	
R4173	NRSA63J-512X	MG RESISTOR	5.1kΩ 1/16W J		R8202	NRSA63J-272X	MG RESISTOR	2.7kΩ 1/16W J	
R4174	NRSA63J-183X	MG RESISTOR	18kΩ 1/16W J		R8203	NRSA63J-392X	MG RESISTOR	3.9kΩ 1/16W J	
R4175	NRSA63J-823X	MG RESISTOR	82kΩ 1/16W J		R8204	NRSA63J-332X	MG RESISTOR	3.3kΩ 1/16W J	
R4176	NRSA63J-223X	MG RESISTOR	22kΩ 1/16W J		R8205	NRSA63J-222X	MG RESISTOR	2.2kΩ 1/16W J	
R4177	NRSA63J-473X	MG RESISTOR	47kΩ 1/16W J		L2001	QQL28AK-470	CHOKE COIL	47μH K	
R4178	NRSA63J-472X	MG RESISTOR	4.7kΩ 1/16W J		L2101	QQL28AK-470	CHOKE COIL	47μH K	
R4179	NRSA63J-102X	MG RESISTOR	1kΩ 1/16W J		L2201	QQL28AK-470	CHOKE COIL	47μH K	
R4181	NRSA63J-272X	MG RESISTOR	2.7kΩ 1/16W J		L2231	QQL70AK-150	DUCTOR	15μH K	
R4191	NRSA63J-102X	MG RESISTOR	1kΩ 1/16W J		L2401	QQLZ003-1R0	COIL	1μH	
R4192	NRSA63J-223X	MG RESISTOR	22kΩ 1/16W J		L2501	QQL70AK-470	COIL	47μH K	
R4193	NRSA63J-222X	MG RESISTOR	2.2kΩ 1/16W J		CN201	QGA3901F1-04	CONNECTOR	W-B (1-4)	
R4221	NRSA63J-473X	MG RESISTOR	47kΩ 1/16W J		CN202	QGF1205F1-21	CONNECTOR	FFC/FPC (1-21)	
R4225	NRSA63J-153X	MG RESISTOR	15kΩ 1/16W J		CN204	QGF1016F3-19	CONNECTOR	FFC/FPC (1-19)	
R4226	NRSA63J-124X	MG RESISTOR	120kΩ 1/16W J		CN205	QGA2501F1-03	CONNECTOR	W-B (1-3)	
R4231	NRSA63J-152X	MG RESISTOR	1.5kΩ 1/16W J		CN401	QGA2501F1-07	CONNECTOR	W-B (1-7)	
R4233	NRSA63D-472X	MG RESISTOR	4.7kΩ 1/16W D		CN602	QGF1205C1-13	CONNECTOR	FFC/FPC (1-13)	
R4234	NRSA63J-182X	MG RESISTOR	1.8kΩ 1/16W J		CN804	QGB1216K1-18S	CONNECTOR	B-B (1-18)	
R4235	NRSA63J-183X	MG RESISTOR	18kΩ 1/16W J		△ CP221	ICP-S2.3-X	IC PROTECTOR	2.3A	
R4236	NRSA63J-103X	MG RESISTOR	10kΩ 1/16W J		D1811	QLF0125-001	FL TUBE		
R4237	NRSA63J-562X	MG RESISTOR	5.6kΩ 1/16W J		FT241	QNG0003-001Z	FUSE CLIP		
R4238	NRSA63J-273X	MG RESISTOR	27kΩ 1/16W J		FT242	QNG0003-001Z	FUSE CLIP		
R4239	NRSA63J-152X	MG RESISTOR	1.5kΩ 1/16W J		J4101	QNN0585-001	PIN JACK		
R4250	NRSA63J-0R0X	MG RESISTOR	0Ω 1/16W J		J6001	QNZ0625-001	RGB CONNECTOR		
R4251	NRSA63J-682X	MG RESISTOR	6.8kΩ 1/16W J		JS801	QSW1042-001	ROTARY ENCODER		
R4252	NRSA63J-183X	MG RESISTOR	18kΩ 1/16W J		K4302	QQR0621-001Z	COIL		
R4253	NRSA63J-394X	MG RESISTOR	390kΩ 1/16W J		S6052	QSW0454-001	SW		
R4254	NRSA63J-562X	MG RESISTOR	5.6kΩ 1/16W J		S8201	QSW0683-001Z	PUSH SW		
R4271	NRSA63J-182X	MG RESISTOR	1.8kΩ 1/16W J		S8202	QSW0683-001Z	PUSH SW		
R4272	NRSA63J-154X	MG RESISTOR	150kΩ 1/16W J		S8203	QSW0683-001Z	PUSH SW		
R4273	NRSA63J-512X	MG RESISTOR	5.1kΩ 1/16W J		S8204	QSW0683-001Z	PUSH SW		
R4274	NRSA63J-183X	MG RESISTOR	18kΩ 1/16W J		S8205	QSW0683-001Z	PUSH SW		
R4275	NRSA63J-823X	MG RESISTOR	82kΩ 1/16W J		S8206	QSW0683-001Z	PUSH SW		
R4276	NRSA63J-223X	MG RESISTOR	22kΩ 1/16W J		S8207	QSW0683-001Z	PUSH SW		
R4277	NRSA63J-473X	MG RESISTOR	47kΩ 1/16W J		S8208	QSW0683-001Z	PUSH SW		
R4278	NRSA63J-472X	MG RESISTOR	4.7kΩ 1/16W J		TH261	NAD0025-333X	N THERMISTOR	33kΩ	
R4279	NRSA63J-102X	MG RESISTOR	1kΩ 1/16W J		TP201	QNZ0104-001	POST PIN		
R4281	NRSA63J-272X	MG RESISTOR	2.7kΩ 1/16W J		TP202	QNZ0104-001	POST PIN		
R4291	NRSA63J-102X	MG RESISTOR	1kΩ 1/16W J						
R4292	NRSA63J-223X	MG RESISTOR	22kΩ 1/16W J						

△ Symbol No.	Part No.	Part Name	Description	Local
WC201	QZW0112-002	WIRE CLAMP		

## Micom board

Block No. [0][2]

△ Symbol No.	Part No.	Part Name	Description	Local
IC401	NJM4565M-W	IC		
IC601	MM1623XF-X	IC		
IC602	SN74AHCT08NS-X	IC		
IC603	SN74LVC08ANS-X	IC		
IC611	GP1FAV30TK0F	OPT TRANSMITTER		
IC701	UPD784217AGF546	IC(ROM MICOM)		
IC711	BR24L02F-W-X	IC		
IC751	LB1641	IC		
IC761	SAA6588T/V2-X	IC		
Q4101	2SC3661-X	TRANSISTOR		
Q4102	2SC3661-X	TRANSISTOR		
Q4201	2SC3661-X	TRANSISTOR		
Q4202	2SC3661-X	TRANSISTOR		
Q4301	UN211L-X	TRANSISTOR		
Q6052	UN2214-X	TRANSISTOR		
Q6053	UN2113-X	DIGI TRANSISTOR		
Q6054	UN2214-X	TRANSISTOR		
Q7301	2SA1530A/QR/-X	TRANSISTOR		
Q7302	2SC3928A/QR/-X	TRANSISTOR		
Q7401	UN2214-X	TRANSISTOR		
Q7511	UN2213-X	DIGI TRANSISTOR		
Q7512	UN2213-X	DIGI TRANSISTOR		
Q7513	UN2213-X	DIGI TRANSISTOR		
Q7514	2SA1530A/QR/-X	TRANSISTOR		
Q7601	UN2111-X	TRANSISTOR		
Q7602	UN2211-X	TRANSISTOR		
Q7701	UN2111-X	TRANSISTOR		
Q7702	2SD601A/RS/-X	TRANSISTOR		
Q7712	UN2211-X	TRANSISTOR		
Q7713	2SC3928A/QR/-X	TRANSISTOR		
Q7801	KTC3195/OI-T	TRANSISTOR		
Q7802	KTC3195/OI-T	TRANSISTOR		
D6091	MTZJ6.2C-T2	Z DIODE		
D7001	MA111-X	SI DIODE		
D7301	1SS133-T2	SI DIODE		
D7302	MTZJ5.1B-T2	Z DIODE		
D7401	1SS133-T2	SI DIODE		
D7701	1SS133-T2	SI DIODE		
D7702	MTZJ10B-T2	Z DIODE		
D7703	MTZJ8.2B-T2	Z DIODE		
D7711	1SS133-T2	SI DIODE		
D7713	1SS133-T2	SI DIODE		
D7715	1SS133-T2	SI DIODE		
D7716	1SS133-T2	SI DIODE		
D7717	RB521S-30-X	SB DIODE		
C1181	NCS31HJ-221X	C CAPACITOR	220pF 50V J	
C1181	NCB31HK-221X	C CAPACITOR	220pF 50V K	
C1182	NCB31EK-332X	C CAPACITOR	3300pF 25V K	
C1184	NCS31HJ-221X	C CAPACITOR	220pF 50V J	
C1184	NCB31HK-221X	C CAPACITOR	220pF 50V K	
C1281	NCS31HJ-221X	C CAPACITOR	220pF 50V J	
C1281	NCB31HK-221X	C CAPACITOR	220pF 50V K	
C1282	NCB31EK-332X	C CAPACITOR	3300pF 25V K	
C1284	NCS31HJ-221X	C CAPACITOR	220pF 50V J	
C1284	NCB31HK-221X	C CAPACITOR	220pF 50V K	
C1381	NCS31HJ-101X	C CAPACITOR	100pF 50V J	
C1381	NDC31HJ-101X	C CAPACITOR	100pF 50V J	
C4101	QEK1AM-227Z	E CAPACITOR	220uF 10V M	
C4102	NCS31HJ-221X	C CAPACITOR	220pF 50V J	
C4103	NCS31HJ-151X	C CAPACITOR	150pF 50V J	
C4104	QER61HM-475Z	E CAPACITOR	4.7uF 50V M	
C4106	NCB31CK-104X	C CAPACITOR	0.1uF 16V K	
C4201	QEK1AM-227Z	E CAPACITOR	220uF 10V M	
C4202	NCS31HJ-221X	C CAPACITOR	220pF 50V J	

△ Symbol No.	Part No.	Part Name	Description	Local
C4203	NCS31HJ-151X	C CAPACITOR	150pF 50V J	
C4204	QER61HM-475Z	E CAPACITOR	4.7uF 50V M	
C4206	NCB31CK-104X	C CAPACITOR	0.1uF 16V K	
C4301	QETN1EM-476Z	E CAPACITOR	47uF 25V M	
C4302	QETN1CM-227Z	E CAPACITOR	220uF 16V M	
C4303	QETN1HM-475Z	E CAPACITOR	4.7uF 50V M	
C4304	NCB31CK-104X	C CAPACITOR	0.1uF 16V K	
C4305	NCB31CK-103X	C CAPACITOR	0.01uF 16V K	
C6001	QETN1AM-477Z	E CAPACITOR	470uF 10V M	
C6002	NCF31CZ-104X	C CAPACITOR	0.1uF 16V Z	
C6003	QFV61HJ-104Z	MF CAPACITOR	0.1uF 50V J	
C6004	QFV61HJ-104Z	MF CAPACITOR	0.1uF 50V J	
C6005	QFV61HJ-104Z	MF CAPACITOR	0.1uF 50V J	
C6006	QFV61HJ-104Z	MF CAPACITOR	0.1uF 50V J	
C6007	QFV61HJ-104Z	MF CAPACITOR	0.1uF 50V J	
C6008	QER61EM-226Z	E CAPACITOR	22uF 25V M	
C6011	QETN1EM-476Z	E CAPACITOR	47uF 25V M	
C6013	NCB31EK-104X	C CAPACITOR	0.1uF 25V K	
C6014	NCB31EK-104X	C CAPACITOR	0.1uF 25V K	
C6090	NCB31CK-104X	C CAPACITOR	0.1uF 16V K	
C6100	NCB31HK-221X	C CAPACITOR	220pF 50V K	
C6100	NCS31HJ-221X	C CAPACITOR	220pF 50V J	
C6101	NCB31EK-104X	C CAPACITOR	0.1uF 25V K	
C7015	NCB31HK-103X	C CAPACITOR	0.01uF 50V K	
C7024	NCB31HK-103X	C CAPACITOR	0.01uF 50V K	
C7181	QCFB1HZ-105Y	C CAPACITOR	1uF 50V Z	
C7182	QER61CM-107Z	E CAPACITOR	100uF 16V M	
C7190	QETN1HM-105Z	E CAPACITOR	1uF 50V M	
C7191	QETN1HM-105Z	E CAPACITOR	1uF 50V M	
C7275	QER61HM-106Z	E CAPACITOR	10uF 50V M	
C7276	NCB31HK-103X	C CAPACITOR	0.01uF 50V K	
C7301	QETN1HM-106Z	E CAPACITOR	10uF 50V M	
C7302	QETN1HM-475Z	E CAPACITOR	4.7uF 50V M	
C7305	NCB31HK-822X	C CAPACITOR	8200pF 50V K	
C7306	NCB31HK-822X	C CAPACITOR	8200pF 50V K	
C7401	NCS31HJ-331X	C CAPACITOR	330pF 50V J	
C7509	QCB1HK-103Y	C CAPACITOR	0.01uF 50V K	
C7511	QCFB1HZ-105Y	C CAPACITOR	1uF 50V Z	
C7512	QETN1CM-337Z	E CAPACITOR	330uF 16V M	
C7513	QETN1CM-226Z	E CAPACITOR	22uF 16V M	
C7601	QETN1HM-106Z	E CAPACITOR	10uF 50V M	
C7602	NCB31HK-561X	C CAPACITOR	560pF 50V K	
C7603	QER61HM-225Z	E CAPACITOR	2.2uF 50V M	
C7604	NCB31HK-331X	C CAPACITOR	330pF 50V K	
C7605	NCB31CK-104X	C CAPACITOR	0.1uF 16V K	
C7606	NCS31HJ-820X	C CAPACITOR	82pF 50V J	
C7607	NCS31HJ-470X	C CAPACITOR	47pF 50V J	
C7608	NCB31CK-473X	C CAPACITOR	0.047uF 16V K	
C7701	QETN1HM-475Z	E CAPACITOR	4.7uF 50V M	
C7703	QETN1CM-107Z	E CAPACITOR	100uF 16V M	
C7711	QETN0JM-228Z	E CAPACITOR	2200uF 6.3V M	
C7712	QER61HM-225Z	E CAPACITOR	2.2uF 50V M	
C7801	NCS31HJ-102X	C CAPACITOR	1000pF 50V J	
C7802	NCS31HJ-102X	C CAPACITOR	1000pF 50V J	
C7803	NCS31HJ-390X	C CAPACITOR	39pF 50V J	
C7804	NCS31HJ-390X	C CAPACITOR	39pF 50V J	
C7805	NCS31HJ-330X	C CAPACITOR	33pF 50V J	
C7806	NCS31HJ-330X	C CAPACITOR	33pF 50V J	
R4101	QRE141J-102Y	C RESISTOR	1kΩ 1/4W J	
R4102	NRSA63J-222X	MG RESISTOR	2.2kΩ 1/16W J	
R4103	QRE141J-220Y	C RESISTOR	22Ω 1/4W J	
R4105	NRSA63J-103X	MG RESISTOR	10kΩ 1/16W J	
R4106	NRSA63J-473X	MG RESISTOR	47kΩ 1/16W J	
R4107	NRSA63J-272X	MG RESISTOR	2.7kΩ 1/16W J	
R4110	QRE141J-102Y	C RESISTOR	1kΩ 1/4W J	
R4111	NRSA63J-332X	MG RESISTOR	3.3kΩ 1/16W J	
R4112	NRSA63J-332X	MG RESISTOR	3.3kΩ 1/16W J	
R4201	NRSA63J-102X	MG RESISTOR	1kΩ 1/16W J	
R4202	NRSA63J-222X	MG RESISTOR	2.2kΩ 1/16W J	
R4203	QRE141J-220Y	C RESISTOR	22Ω 1/4W J	
R4205	NRSA63J-103X	MG RESISTOR	10kΩ 1/16W J	
R4206	NRSA63J-473X	MG RESISTOR	47kΩ 1/16W J	

A5MK  
2B,A5  
MK2E  
.A5M  
K2EE,  
A5MK  
2EN

△ Symbol No.	Part No.	Part Name	Description	Local	△ Symbol No.	Part No.	Part Name	Description	Local
R4207	NRSA63J-272X	MG RESISTOR	2.7kΩ 1/16W J		R7071	NRSA63J-222X	MG RESISTOR	2.2kΩ 1/16W J	
R4210	NRSA63J-102X	MG RESISTOR	1kΩ 1/16W J		R7073	NRSA63J-222X	MG RESISTOR	2.2kΩ 1/16W J	
R4211	NRSA63J-332X	MG RESISTOR	3.3kΩ 1/16W J		R7074	NRSA63J-222X	MG RESISTOR	2.2kΩ 1/16W J	
R4212	NRSA63J-332X	MG RESISTOR	3.3kΩ 1/16W J		R7077	NRSA63J-103X	MG RESISTOR	10kΩ 1/16W J	
R4301	NRSA63J-912X	MG RESISTOR	9.1kΩ 1/16W J		R7078	NRSA63J-222X	MG RESISTOR	2.2kΩ 1/16W J	
R4302	NRSA63J-103X	MG RESISTOR	10kΩ 1/16W J		R7079	NRSA63J-222X	MG RESISTOR	2.2kΩ 1/16W J	
R4304	NRSA63J-103X	MG RESISTOR	10kΩ 1/16W J		R7080	NRSA63J-222X	MG RESISTOR	2.2kΩ 1/16W J	
R4305	QRE141J-102Y	C RESISTOR	1kΩ 1/4W J		R7082	NRSA63J-222X	MG RESISTOR	2.2kΩ 1/16W J	
R6001	NRSA63J-331X	MG RESISTOR	330Ω 1/16W J		R7084	NRSA63J-102X	MG RESISTOR	1kΩ 1/16W J	
R6002	NRSA63J-391X	MG RESISTOR	390Ω 1/16W J		R7086	NRSA63J-102X	MG RESISTOR	1kΩ 1/16W J	
R6003	NRSA63J-331X	MG RESISTOR	330Ω 1/16W J		R7087	NRSA63J-0R0X	MG RESISTOR	0Ω 1/16W J	
R6004	NRSA63J-361X	MG RESISTOR	360Ω 1/16W J		R7088	NRSA63J-102X	MG RESISTOR	1kΩ 1/16W J	
R6005	NRSA63J-121X	MG RESISTOR	120Ω 1/16W J		R7089	NRSA63J-222X	MG RESISTOR	2.2kΩ 1/16W J	
R6006	NRSA63J-301X	MG RESISTOR	300Ω 1/16W J		R7090	NRSA63J-101X	MG RESISTOR	100Ω 1/16W J	
R6007	NRSA63J-121X	MG RESISTOR	120Ω 1/16W J		R7091	NRSA63J-101X	MG RESISTOR	100Ω 1/16W J	
R6008	NRSA63J-301X	MG RESISTOR	300Ω 1/16W J		R7092	NRSA63J-222X	MG RESISTOR	2.2kΩ 1/16W J	
R6009	NRSA63J-121X	MG RESISTOR	120Ω 1/16W J		R7093	NRSA63J-222X	MG RESISTOR	2.2kΩ 1/16W J	
R6010	NRSA63J-301X	MG RESISTOR	300Ω 1/16W J		R7094	NRSA63J-103X	MG RESISTOR	10kΩ 1/16W J	
R6011	QRE141J-101Y	C RESISTOR	100Ω 1/4W J		R7102	NRSA63J-103X	MG RESISTOR	10kΩ 1/16W J	
R6013	QRE141J-101Y	C RESISTOR	100Ω 1/4W J		R7104	NRSA63J-103X	MG RESISTOR	10kΩ 1/16W J	
R6014	QRE141J-101Y	C RESISTOR	100Ω 1/4W J		R7105	NRSA63J-103X	MG RESISTOR	10kΩ 1/16W J	
△ R6015	QRZ9015-2R2X	FUSI RESISTOR	2.2Ω		R7124	NRSA63J-103X	MG RESISTOR	10kΩ 1/16W J	
R6051	QRE141J-431Y	C RESISTOR	430Ω 1/4W J		R7125	NRSA63J-103X	MG RESISTOR	10kΩ 1/16W J	
R6095	NRSA63J-101X	MG RESISTOR	100Ω 1/16W J		R7126	NRSA63J-103X	MG RESISTOR	10kΩ 1/16W J	
R6096	NRSA63J-101X	MG RESISTOR	100Ω 1/16W J		R7140	NRSA63J-103X	MG RESISTOR	10kΩ 1/16W J	
R7001	NRSA63J-222X	MG RESISTOR	2.2kΩ 1/16W J		R7167	NRSA63J-103X	MG RESISTOR	10kΩ 1/16W J	
R7002	NRSA63J-222X	MG RESISTOR	2.2kΩ 1/16W J		R7169	NRSA63J-562X	MG RESISTOR	5.6kΩ 1/16W J	
R7003	NRSA63J-222X	MG RESISTOR	2.2kΩ 1/16W J		R7179	QRE141J-103Y	C RESISTOR	10kΩ 1/4W J	
R7004	NRSA63J-222X	MG RESISTOR	2.2kΩ 1/16W J		R7192	NRSA63J-103X	MG RESISTOR	10kΩ 1/16W J	
R7005	NRSA63J-222X	MG RESISTOR	2.2kΩ 1/16W J		R7193	NRSA63J-103X	MG RESISTOR	10kΩ 1/16W J	
R7006	NRSA63J-222X	MG RESISTOR	2.2kΩ 1/16W J		R7275	QRE141J-101Y	C RESISTOR	100Ω 1/4W J	
R7007	NRSA63J-222X	MG RESISTOR	2.2kΩ 1/16W J		R7276	NRSA63J-104X	MG RESISTOR	100kΩ 1/16W J	
R7008	NRSA63J-222X	MG RESISTOR	2.2kΩ 1/16W J		R7301	NRSA63J-0R0X	MG RESISTOR	0Ω 1/16W J	
R7015	NRSA63J-103X	MG RESISTOR	10kΩ 1/16W J		R7302	NRSA63J-222X	MG RESISTOR	2.2kΩ 1/16W J	
R7017	NRSA63J-102X	MG RESISTOR	1kΩ 1/16W J		R7401	NRSA63J-103X	MG RESISTOR	10kΩ 1/16W J	
R7018	NRSA63J-102X	MG RESISTOR	1kΩ 1/16W J		R7402	NRSA63J-102X	MG RESISTOR	1kΩ 1/16W J	
R7019	NRSA63J-222X	MG RESISTOR	2.2kΩ 1/16W J		R7403	NRSA63J-102X	MG RESISTOR	1kΩ 1/16W J	
R7020	NRSA63J-102X	MG RESISTOR	1kΩ 1/16W J		R7405	NRSA63J-221X	MG RESISTOR	220Ω 1/16W J	
R7021	NRSA63J-222X	MG RESISTOR	2.2kΩ 1/16W J		R7513	NRSA63J-101X	MG RESISTOR	100Ω 1/16W J	
R7022	NRSA63J-222X	MG RESISTOR	2.2kΩ 1/16W J		R7514	NRSA63J-103X	MG RESISTOR	10kΩ 1/16W J	
R7025	NRSA63J-222X	MG RESISTOR	2.2kΩ 1/16W J		R7515	NRSA63J-132X	MG RESISTOR	1.3kΩ 1/16W J	
R7026	NRSA63J-222X	MG RESISTOR	2.2kΩ 1/16W J		R7516	NRSA63J-512X	MG RESISTOR	5.1kΩ 1/16W J	
R7027	NRSA63J-222X	MG RESISTOR	2.2kΩ 1/16W J		△ R7517	QRZ9015-4R7X	FUSI RESISTOR	4.7Ω	
R7028	NRSA63J-222X	MG RESISTOR	2.2kΩ 1/16W J		R7518	NRSA63J-392X	MG RESISTOR	3.9kΩ 1/16W J	
R7029	NRSA63J-222X	MG RESISTOR	2.2kΩ 1/16W J		R7519	NRSA63J-512X	MG RESISTOR	5.1kΩ 1/16W J	
R7030	NRSA63J-222X	MG RESISTOR	2.2kΩ 1/16W J		R7520	NRSA63J-512X	MG RESISTOR	5.1kΩ 1/16W J	
R7031	NRSA63J-222X	MG RESISTOR	2.2kΩ 1/16W J		R7601	NRSA63J-474X	MG RESISTOR	470kΩ 1/16W J	
R7032	NRSA63J-222X	MG RESISTOR	2.2kΩ 1/16W J		R7602	NRSA63J-102X	MG RESISTOR	1kΩ 1/16W J	
R7038	NRSA63J-101X	MG RESISTOR	100Ω 1/16W J		R7603	NRSA63J-103X	MG RESISTOR	10kΩ 1/16W J	
R7039	NRSA63J-101X	MG RESISTOR	100Ω 1/16W J		R7604	NRSA63J-103X	MG RESISTOR	10kΩ 1/16W J	
R7040	NRSA63J-102X	MG RESISTOR	1kΩ 1/16W J		R7605	NRSA63J-102X	MG RESISTOR	1kΩ 1/16W J	
R7041	NRSA63J-222X	MG RESISTOR	2.2kΩ 1/16W J		R7701	NRSA63J-104X	MG RESISTOR	100kΩ 1/16W J	
R7042	NRSA63J-222X	MG RESISTOR	2.2kΩ 1/16W J		R7702	NRSA63J-333X	MG RESISTOR	33kΩ 1/16W J	
R7043	NRSA63J-102X	MG RESISTOR	1kΩ 1/16W J		R7703	NRSA63J-473X	MG RESISTOR	47kΩ 1/16W J	
R7044	NRSA63J-222X	MG RESISTOR	2.2kΩ 1/16W J		R7704	NRSA63J-103X	MG RESISTOR	10kΩ 1/16W J	
R7045	NRSA63J-100X	MG RESISTOR	10Ω 1/16W J		R7711	QRE141J-331Y	C RESISTOR	330Ω 1/4W J	
R7046	NRSA63J-100X	MG RESISTOR	10Ω 1/16W J		R7712	NRSA63J-103X	MG RESISTOR	10kΩ 1/16W J	
R7047	NRSA63J-100X	MG RESISTOR	10Ω 1/16W J		R7715	NRSA63J-104X	MG RESISTOR	100kΩ 1/16W J	
R7048	NRSA63J-222X	MG RESISTOR	2.2kΩ 1/16W J		R7716	NRSA63J-473X	MG RESISTOR	47kΩ 1/16W J	
R7049	NRSA63J-222X	MG RESISTOR	2.2kΩ 1/16W J		△ R7720	QRZ9015-2R2X	FUSI RESISTOR	2.2Ω	
R7050	NRSA63J-222X	MG RESISTOR	2.2kΩ 1/16W J		R7801	NRSA63J-222X	MG RESISTOR	2.2kΩ 1/16W J	
R7051	NRSA63J-222X	MG RESISTOR	2.2kΩ 1/16W J		R7802	NRSA63J-222X	MG RESISTOR	2.2kΩ 1/16W J	
R7052	NRSA63J-104X	MG RESISTOR	100kΩ 1/16W J		R7803	NRSA63J-822X	MG RESISTOR	8.2kΩ 1/16W J	
R7054	NRSA63J-102X	MG RESISTOR	1kΩ 1/16W J		R7804	NRSA63J-822X	MG RESISTOR	8.2kΩ 1/16W J	
R7055	NRSA63J-102X	MG RESISTOR	1kΩ 1/16W J						
R7056	NRSA63J-222X	MG RESISTOR	2.2kΩ 1/16W J		L1181	QQR0797-002	COIL		
R7058	NRSA63J-222X	MG RESISTOR	2.2kΩ 1/16W J		L1281	QQR0797-002	COIL		
R7059	NRSA63J-222X	MG RESISTOR	2.2kΩ 1/16W J		L6011	QQL244K-4R7Z	COIL	4.7uH K	
R7060	NRSA63J-222X	MG RESISTOR	2.2kΩ 1/16W J		L7024	QQL244K-100Z	COIL	10uH K	
R7061	NRSA63J-222X	MG RESISTOR	2.2kΩ 1/16W J		L7501	QQL244K-100Z	COIL	10uH K	
R7062	NRSA63J-222X	MG RESISTOR	2.2kΩ 1/16W J		L7701	QQL244K-100Z	COIL	10uH K	
R7063	NRSA63J-222X	MG RESISTOR	2.2kΩ 1/16W J						
R7064	NRSA63J-222X	MG RESISTOR	2.2kΩ 1/16W J		CN601	QGF1205F1-13	CONNECTOR	FFC/FPC (1-13)	
R7066	NRSA63J-222X	MG RESISTOR	2.2kΩ 1/16W J		CN631	QGF1016C1-17	CONNECTOR	FFC/FPC (1-17)	
R7067	NRSA63J-222X	MG RESISTOR	2.2kΩ 1/16W J		CN701	QGF1016C1-05	CONNECTOR	FFC/FPC (1-5)	
R7068	NRSA63J-102X	MG RESISTOR	1kΩ 1/16W J		CN704	QGB1216J1-18S	CONNECTOR	B-B (1-18)	
R7069	NRSA63J-392X	MG RESISTOR	3.9kΩ 1/16W J		CN705	QGF1205C1-11	CONNECTOR	FFC/FPC (1-11)	
R7070	NRSA63J-222X	MG RESISTOR	2.2kΩ 1/16W J		CN706	QGA2501F1-12	CONNECTOR	W-B (1-12)	

△ Symbol No.	Part No.	Part Name	Description	Local	△ Symbol No.	Part No.	Part Name	Description	Local
CN707	QGF1205F1-21	CONNECTOR	FFC/FPC (1-21)		C1123	QTE1V06-106Z	E CAPACITOR	10uF 35V	
EP601	QNZ0136-001Z	EARTH PLATE			C1124	NCS31HJ-101X	C CAPACITOR	100pF 50V J	
J3001	QNB0186-001	SPK TERMINAL			C1125	QFVF1HJ-684Z	MF CAPACITOR	0.68uF 50V J	
J4001	QNS0223-001	3.5 JACK			C1126	NCB21HK-104X	C CAPACITOR	0.1uF 50V K	
J6005	QNS0089-001	3.5 JACK			C1127	NCB21HK-104X	C CAPACITOR	0.1uF 50V K	
K4101	NQR0007-002X	FERRITE BEADS			C1128	NCB21HK-104X	C CAPACITOR	0.1uF 50V K	
K4201	NQR0007-002X	FERRITE BEADS			C1129	NCB21HK-104X	C CAPACITOR	0.1uF 50V K	
K4301	NQR0007-002X	FERRITE BEADS			C1130	NCB21HK-104X	C CAPACITOR	0.1uF 50V K	
K6001	QQR0621-001Z	COIL			C1132	NCS31HJ-181X	C CAPACITOR	180pF 50V J	
K6011	QQR0621-001Z	COIL			C1133	NCB31HK-471X	C CAPACITOR	470pF 50V K	
K6091	QQR0621-001Z	COIL			C1134	NCB31HK-471X	C CAPACITOR	470pF 50V K	
K7038	QQR0621-001Z	COIL			C1137	NCB21CK-105X	C CAPACITOR	1uF 16V K	
K7039	QQR0621-001Z	COIL			C1140	NCB31EK-104X	C CAPACITOR	0.1uF 25V K	
K7275	QQR0621-001Z	COIL			C1141	NCB31HK-102X	C CAPACITOR	1000pF 50V K	
K7501	QQR0621-001Z	COIL			C1142	NCB31HK-102X	C CAPACITOR	1000pF 50V K	
K7601	QQR0621-001Z	COIL			C1143	NCB31HK-102X	C CAPACITOR	1000pF 50V K	
K7701	QQR0621-001Z	COIL			C1144	NCB31HK-102X	C CAPACITOR	1000pF 50V K	
WC101	QZW0112-002	WIRE CLAMP			C1201	QTE1V06-106Z	E CAPACITOR	10uF 35V	
X7601	QAX0263-001Z	CRYSTAL	4.332MHz		C1202	NCB31HK-222X	C CAPACITOR	2200pF 50V K	
X7801	QAX0416-001Z	C RESONATOR	8.000MHz		C1203	NCB31HK-222X	C CAPACITOR	2200pF 50V K	

## Digital amplifier board

Block No. [0][3]

△ Symbol No.	Part No.	Part Name	Description	Local	△ Symbol No.	Part No.	Part Name	Description	Local
IC111	NJM4580M-X	IC			C1204	NCB31HK-471X	C CAPACITOR	470pF 50V K	
IC112	NJU7109F3-X	IC			C1205	QTE1H06-475Z	E CAPACITOR	4.7uF 50V	
IC113	SN74AHC1G00V-X	IC			C1206	QTE1V06-106Z	E CAPACITOR	10uF 35V	
IC121	NJM4580M-X	IC			C1207	NCB31HK-122X	C CAPACITOR	1200pF 50V K	
IC122	NJU7109F3-X	IC			C1208	NCB31HK-331X	C CAPACITOR	330pF 50V K	
IC123	SN74AHC1G00V-X	IC			C1209	NCS31HJ-220X	C CAPACITOR	22pF 50V J	
IC131	NJM2115V-W	IC			C1210	NCS31HJ-220X	C CAPACITOR	22pF 50V J	
△ IC132	STA506A-W	IC			C1211	NCS31HJ-220X	C CAPACITOR	22pF 50V J	
IC301	SN74HCU04ANS-X	IC			C1213	NCB30JK-105X	C CAPACITOR	1uF 6.3V K	
IC302	SN74LV00ANS-X	IC			C1214	NCB31EK-104X	C CAPACITOR	0.1uF 25V K	
△ IC303	NJM78L05A-T	IC			C1215	NCB31EK-104X	C CAPACITOR	0.1uF 25V K	
Q1101	UN211E-X	DIGI TRANSISTOR			C1218	NCB21HK-104X	C CAPACITOR	0.1uF 50V K	
Q1102	UN211E-X	DIGI TRANSISTOR			C1222	QTE1C06-336Z	E CAPACITOR	33uF 16V	
Q1103	2SC3661-X	TRANSISTOR			C1223	QTE1V06-106Z	E CAPACITOR	10uF 35V	
Q1104	UMY1N-W	TRANSISTOR			C1224	NCS31HJ-101X	C CAPACITOR	100pF 50V J	
Q1201	UN211E-X	DIGI TRANSISTOR			C1225	QFVF1HJ-684Z	MF CAPACITOR	0.68uF 50V J	
Q1202	UN211E-X	DIGI TRANSISTOR			C1226	NCB21HK-104X	C CAPACITOR	0.1uF 50V K	
Q1203	2SC3661-X	TRANSISTOR			C1227	NCB21HK-104X	C CAPACITOR	0.1uF 50V K	
Q1204	UMY1N-W	TRANSISTOR			C1228	NCB21HK-104X	C CAPACITOR	0.1uF 50V K	
Q3002	KTA1267/YG/-T	TRANSISTOR			C1229	NCB21HK-104X	C CAPACITOR	0.1uF 50V K	
Q3003	2SC3928A/QR/-X	TRANSISTOR			C1230	NCB21HK-104X	C CAPACITOR	0.1uF 50V K	
Q3004	2SC3928A/QR/-X	TRANSISTOR			C1232	NCS31HJ-181X	C CAPACITOR	180pF 50V J	
Q3005	2SC3928A/QR/-X	TRANSISTOR			C1233	NCB31HK-471X	C CAPACITOR	470pF 50V K	
Q3006	2SA1530A/QR/-X	TRANSISTOR			C1234	NCB31HK-471X	C CAPACITOR	470pF 50V K	
Q3007	UN2112-X	DIGI TRANSISTOR			C1237	NCB21CK-105X	C CAPACITOR	1uF 16V K	
D1104	MA152WK-X	SI DIODE			C1240	NCB31EK-104X	C CAPACITOR	0.1uF 25V K	
D1203	UDZS6.8B-X	Z DIODE			C1241	NCB31HK-102X	C CAPACITOR	1000pF 50V K	
D3001	MA152WK-X	SI DIODE			C1242	NCB31HK-102X	C CAPACITOR	1000pF 50V K	
D3003	MA152WK-X	SI DIODE			C1243	NCB31HK-102X	C CAPACITOR	1000pF 50V K	
C1101	QTE1V06-106Z	E CAPACITOR	10uF 35V		C1244	NCB31HK-102X	C CAPACITOR	1000pF 50V K	
C1102	NCB31HK-222X	C CAPACITOR	2200pF 50V K		C1301	NCB30JK-105X	C CAPACITOR	1uF 6.3V K	
C1103	NCB31HK-222X	C CAPACITOR	2200pF 50V K		C1302	NCB31CK-104X	C CAPACITOR	0.1uF 16V K	
C1104	NCB31HK-471X	C CAPACITOR	470pF 50V K		C1303	NCB31CK-104X	C CAPACITOR	0.1uF 16V K	
C1105	QTE1H06-475Z	E CAPACITOR	4.7uF 50V		C1305	NCB31EK-104X	C CAPACITOR	0.1uF 25V K	
C1106	QTE1V06-106Z	E CAPACITOR	10uF 35V		C1306	NCB31EK-104X	C CAPACITOR	0.1uF 25V K	
C1107	NCB31HK-122X	C CAPACITOR	1200pF 50V K		△ C1307	QTMN1EM-477Z	E CAPACITOR	470uF 25V M	
C1108	NCB31HK-331X	C CAPACITOR	330pF 50V K		C1308	QTE1E06-226Z	E CAPACITOR	22uF 25V	
C1109	NCS31HJ-220X	C CAPACITOR	22pF 50V J		C1309	NFV41HJ-333X	MPPS CAPACITOR	0.033uF 50V J	
C1110	NCS31HJ-220X	C CAPACITOR	22pF 50V J		C1310	NCB31CK-104X	C CAPACITOR	0.1uF 16V K	
C1111	NCS31HJ-220X	C CAPACITOR	22pF 50V J		C3002	NDC31HJ-471X	C CAPACITOR	470pF 50V J	
C1113	NCB30JK-105X	C CAPACITOR	1uF 6.3V K		C3003	NDC31HJ-471X	C CAPACITOR	470pF 50V J	
C1114	NCB31EK-104X	C CAPACITOR	0.1uF 25V K		C3004	NDC31HJ-471X	C CAPACITOR	470pF 50V J	
C1115	NCB31EK-104X	C CAPACITOR	0.1uF 25V K		C3005	NDC31HJ-471X	C CAPACITOR	470pF 50V J	
C1118	NCB21HK-104X	C CAPACITOR	0.1uF 50V K		C3006	NCB30JK-105X	C CAPACITOR	1uF 6.3V K	
					C3007	NCB30JK-105X	C CAPACITOR	1uF 6.3V K	
					C3008	NCB31HK-331X	C CAPACITOR	330pF 50V K	
					C3009	NCB31HK-331X	C CAPACITOR	330pF 50V K	
					C3010	NCS31HJ-470X	C CAPACITOR	47pF 50V J	
					C3011	NCB31CK-104X	C CAPACITOR	0.1uF 16V K	
					C3012	QFVF1HJ-334Z	MF CAPACITOR	0.33uF 50V J	
					C3013	QETN1EM-107Z	E CAPACITOR	100uF 25V M	
					C3015	QER61HM-106Z	E CAPACITOR	10uF 50V M	
					C3016	QER61HM-106Z	E CAPACITOR	10uF 50V M	
					C3017	QER61HM-106Z	E CAPACITOR	10uF 50V M	
					C3018	QER61HM-106Z	E CAPACITOR	10uF 50V M	
					C3019	QFVF1HJ-474Z	MF CAPACITOR	0.47uF 50V J	
					C3020	QFVF1HJ-474Z	MF CAPACITOR	0.47uF 50V J	

△ Symbol No.	Part No.	Part Name	Description	Local	△ Symbol No.	Part No.	Part Name	Description	Local
C3021	QFVF1HJ-474Z	MF CAPACITOR	0.47uF 50V J		R1302	NRSA63F-102X	MG RESISTOR	1kΩ 1/16W F	
C3022	QFVF1HJ-474Z	MF CAPACITOR	0.47uF 50V J		R1303	NRSA63J-103X	MG RESISTOR	10kΩ 1/16W J	
C3025	QER61HM-106Z	E CAPACITOR	10uF 50V M		R1304	NRSA63J-103X	MG RESISTOR	10kΩ 1/16W J	
C3026	NCB31CK-104X	C CAPACITOR	0.1uF 16V K		R1308	NRSA63J-102X	MG RESISTOR	1kΩ 1/16W J	
C3027	NCB31CK-104X	C CAPACITOR	0.1uF 16V K		R1309	NRSA63J-272X	MG RESISTOR	2.7kΩ 1/16W J	
C3031	QTE1V06-106Z	E CAPACITOR	10uF 35V		R1310	NRSA63J-182X	MG RESISTOR	1.8kΩ 1/16W J	
C3034	NCB30JK-105X	C CAPACITOR	1uF 6.3V K		R1311	NRSA63J-272X	MG RESISTOR	2.7kΩ 1/16W J	
R1101	NRSA63J-182X	MG RESISTOR	1.8kΩ 1/16W J		R3003	NRSA63J-105X	MG RESISTOR	1MΩ 1/16W J	
R1102	NRSA63J-113X	MG RESISTOR	11kΩ 1/16W J		R3004	NRSA63J-562X	MG RESISTOR	5.6kΩ 1/16W J	
R1103	NRSA63J-821X	MG RESISTOR	820Ω 1/16W J		R3005	NRSA63J-105X	MG RESISTOR	1MΩ 1/16W J	
R1104	NRSA63J-103X	MG RESISTOR	10kΩ 1/16W J		R3006	NRSA63J-562X	MG RESISTOR	5.6kΩ 1/16W J	
R1105	NRSA63J-103X	MG RESISTOR	10kΩ 1/16W J		R3007	NRSA63J-122X	MG RESISTOR	1.2kΩ 1/16W J	
R1106	NRSA63J-474X	MG RESISTOR	470kΩ 1/16W J		R3008	NRSA63J-681X	MG RESISTOR	680Ω 1/16W J	
R1107	NRSA63J-103X	MG RESISTOR	10kΩ 1/16W J		R3009	NRSA63J-681X	MG RESISTOR	680Ω 1/16W J	
R1108	NRSA63J-331X	MG RESISTOR	330Ω 1/16W J		△ R3010	QRK126J-271X	UNF C RESISTOR	270Ω 1/2W J	
R1110	NRSA63J-821X	MG RESISTOR	820Ω 1/16W J		R3011	NRSA63J-472X	MG RESISTOR	4.7kΩ 1/16W J	
R1111	NRSA63J-822X	MG RESISTOR	8.2kΩ 1/16W J		R3012	NRSA63J-472X	MG RESISTOR	4.7kΩ 1/16W J	
R1112	NRSA63J-562X	MG RESISTOR	5.6kΩ 1/16W J		R3013	NRSA63J-472X	MG RESISTOR	4.7kΩ 1/16W J	
R1113	NRSA63J-562X	MG RESISTOR	5.6kΩ 1/16W J		R3014	NRSA63J-103X	MG RESISTOR	10kΩ 1/16W J	
R1115	NRSA63J-223X	MG RESISTOR	22kΩ 1/16W J		R3015	NRSA63J-822X	MG RESISTOR	8.2kΩ 1/16W J	
R1116	NRSA63J-223X	MG RESISTOR	22kΩ 1/16W J		R3016	NRSA63J-102X	MG RESISTOR	1kΩ 1/16W J	
R1117	NRSA63J-183X	MG RESISTOR	18kΩ 1/16W J		R3017	NRSA63J-102X	MG RESISTOR	1kΩ 1/16W J	
R1118	NRSA63J-102X	MG RESISTOR	1kΩ 1/16W J		R3018	NRSA63J-102X	MG RESISTOR	1kΩ 1/16W J	
R1119	NRSA63J-222X	MG RESISTOR	2.2kΩ 1/16W J		R3019	NRSA63J-102X	MG RESISTOR	1kΩ 1/16W J	
R1120	NRSA63J-222X	MG RESISTOR	2.2kΩ 1/16W J		△ R3020	QRJ146J-221X	UNF C RESISTOR	220Ω 1/4W J	
R1122	NRSA63J-104X	MG RESISTOR	100kΩ 1/16W J		△ R3022	QRK126J-271X	UNF C RESISTOR	270Ω 1/2W J	
R1123	NRSA63J-101X	MG RESISTOR	100Ω 1/16W J		R3023	NRSA63J-822X	MG RESISTOR	8.2kΩ 1/16W J	
R1124	NRSA63J-101X	MG RESISTOR	100Ω 1/16W J		R3024	NRSA63J-103X	MG RESISTOR	10kΩ 1/16W J	
△ R1125	NRS016J-470X	MG RESISTOR	47Ω 1W J		R3025	NRSA63J-822X	MG RESISTOR	8.2kΩ 1/16W J	
△ R1126	NRS016J-470X	MG RESISTOR	47Ω 1W J		R3027	NRSA63J-822X	MG RESISTOR	8.2kΩ 1/16W J	
R1127	NRSA63J-103X	MG RESISTOR	10kΩ 1/16W J		R3029	NRSA63J-822X	MG RESISTOR	8.2kΩ 1/16W J	
R1129	NRSA63J-471X	MG RESISTOR	470Ω 1/16W J		R3031	NRSA63J-182X	MG RESISTOR	1.8kΩ 1/16W J	
R1131	NRSA63J-562X	MG RESISTOR	5.6kΩ 1/16W J		R3032	NRSA63J-182X	MG RESISTOR	1.8kΩ 1/16W J	
R1132	NRSA63J-562X	MG RESISTOR	5.6kΩ 1/16W J		R3033	NRSA63J-182X	MG RESISTOR	1.8kΩ 1/16W J	
R1133	NRSA63J-223X	MG RESISTOR	22kΩ 1/16W J		R3034	NRSA63J-182X	MG RESISTOR	1.8kΩ 1/16W J	
R1134	NRSA63J-822X	MG RESISTOR	8.2kΩ 1/16W J		R3035	NRSA63J-103X	MG RESISTOR	10kΩ 1/16W J	
R1135	NRSA63J-222X	MG RESISTOR	2.2kΩ 1/16W J		R3036	NRSA63J-224X	MG RESISTOR	220kΩ 1/16W J	
R1136	NRSA63J-332X	MG RESISTOR	3.3kΩ 1/16W J		R3037	NRSA63J-103X	MG RESISTOR	10kΩ 1/16W J	
R1137	NRSA63J-101X	MG RESISTOR	100Ω 1/16W J		L1101	QQLZ037-220	COIL	22uH	
R1142	NRSA02J-101X	MG RESISTOR	100Ω 1/10W J		L1102	QQLZ037-220	COIL	22uH	
R1143	NRSA02J-101X	MG RESISTOR	100Ω 1/10W J		L1201	QQLZ037-220	COIL	22uH	
R1201	NRSA63J-182X	MG RESISTOR	1.8kΩ 1/16W J		L1202	QQLZ037-220	COIL	22uH	
R1202	NRSA63J-113X	MG RESISTOR	11kΩ 1/16W J		CN310	QGA2501F1-04	CONNECTOR	W-B (1-4)	
R1203	NRSA63J-821X	MG RESISTOR	820Ω 1/16W J		CN311	QGA2501F1-06	CONNECTOR	W-B (1-6)	
R1204	NRSA63J-103X	MG RESISTOR	10kΩ 1/16W J		CN312	QGA2501F1-05	CONNECTOR	W-B (1-5)	
R1205	NRSA63J-103X	MG RESISTOR	10kΩ 1/16W J		CN313	QGA2501F1-06	CONNECTOR	W-B (1-6)	
R1206	NRSA63J-474X	MG RESISTOR	470kΩ 1/16W J		K3001	NQR0389-003X	FERRITE BEADS		
R1207	NRSA63J-103X	MG RESISTOR	10kΩ 1/16W J		K3002	NQR0389-003X	FERRITE BEADS		
R1208	NRSA63J-331X	MG RESISTOR	330Ω 1/16W J		K3003	NQR0389-003X	FERRITE BEADS		
R1210	NRSA63J-821X	MG RESISTOR	820Ω 1/16W J		K3004	NQR0389-003X	FERRITE BEADS		
R1211	NRSA63J-822X	MG RESISTOR	8.2kΩ 1/16W J		K3005	NQR0389-003X	FERRITE BEADS		
R1212	NRSA63J-562X	MG RESISTOR	5.6kΩ 1/16W J		X3001	QAX0734-001	C RESONATOR	400.00kHz	
R1213	NRSA63J-562X	MG RESISTOR	5.6kΩ 1/16W J		X3002	QAX0735-001	C RESONATOR	420.00kHz	
R1215	NRSA63J-223X	MG RESISTOR	22kΩ 1/16W J						
R1216	NRSA63J-223X	MG RESISTOR	22kΩ 1/16W J						
R1217	NRSA63J-183X	MG RESISTOR	18kΩ 1/16W J						
R1218	NRSA63J-102X	MG RESISTOR	1kΩ 1/16W J						
R1219	NRSA63J-222X	MG RESISTOR	2.2kΩ 1/16W J						
R1220	NRSA63J-222X	MG RESISTOR	2.2kΩ 1/16W J						
R1222	NRSA63J-104X	MG RESISTOR	100kΩ 1/16W J						
R1223	NRSA63J-101X	MG RESISTOR	100Ω 1/16W J						
R1224	NRSA63J-101X	MG RESISTOR	100Ω 1/16W J						
△ R1225	NRS016J-470X	MG RESISTOR	47Ω 1W J						
△ R1226	NRS016J-470X	MG RESISTOR	47Ω 1W J						
R1227	NRSA63J-103X	MG RESISTOR	10kΩ 1/16W J						
R1228	NRSA63J-472X	MG RESISTOR	4.7kΩ 1/16W J						
R1229	NRSA63J-471X	MG RESISTOR	470Ω 1/16W J						
R1231	NRSA63J-562X	MG RESISTOR	5.6kΩ 1/16W J						
R1232	NRSA63J-562X	MG RESISTOR	5.6kΩ 1/16W J						
R1233	NRSA63J-223X	MG RESISTOR	22kΩ 1/16W J						
R1234	NRSA63J-822X	MG RESISTOR	8.2kΩ 1/16W J						
R1235	NRSA63J-222X	MG RESISTOR	2.2kΩ 1/16W J						
R1236	NRSA63J-332X	MG RESISTOR	3.3kΩ 1/16W J						
R1237	NRSA63J-101X	MG RESISTOR	100Ω 1/16W J						
R1242	NRSA02J-101X	MG RESISTOR	100Ω 1/10W J						
R1243	NRSA02J-101X	MG RESISTOR	100Ω 1/10W J						
R1301	NRSA63F-102X	MG RESISTOR	1kΩ 1/16W F						

## DVD servo control board

Block No. [0][4]

△ Symbol No.	Part No.	Part Name	Description	Local
IC201	LA6502-X	IC		
IC301	MN2DS0003AA-H	IC		
IC302	LM1117MP-ADJ-X	IC		
IC453	S-80827CNNB-W	IC		
IC505	K4S641632H-UC75	IC		
IC505	or K4S641632H-TC75	IC(DIGITAL)		
IC505	or K4S641632F-TC60	IC		
IC505	or K4S641632F-TC75	IC(DIGITAL)		
IC509	SA16M90TFIR1	IC		
IC701	AK4384VT-X	IC		
IC701	or AK4384ET-X	IC		
Q101	KTA1001Y/-X	TRANSISTOR		

△ Symbol No.	Part No.	Part Name	Description	Local	△ Symbol No.	Part No.	Part Name	Description	Local
Q101	or 2SB1424/R/-W	TRANSISTOR			C371	NCB21CK-105X	C CAPACITOR	1uF 16V K	
Q102	2SC4617/R/-X	TRANSISTOR			C374	NCB31CK-104X	C CAPACITOR	0.1uF 16V K	
Q103	KTA1001/Y/-X	TRANSISTOR			C391	NCB31CK-104X	C CAPACITOR	0.1uF 16V K	
Q103	or 2SB1424/R/-W	TRANSISTOR			C392	NCB31CK-104X	C CAPACITOR	0.1uF 16V K	
Q104	2SC4617/R/-X	TRANSISTOR			C455	NCB31CK-103X	C CAPACITOR	0.01uF 16V K	
Q105	UN2119-X	TRANSISTOR			C505	NDC31HJ-330X	C CAPACITOR	33pF 50V J	
C101	NCB31CK-104X	C CAPACITOR	0.1uF 16V K		C506	NDC31HJ-330X	C CAPACITOR	33pF 50V J	
C102	NCB31CK-104X	C CAPACITOR	0.1uF 16V K		C507	NDC31HJ-330X	C CAPACITOR	33pF 50V J	
C103	NCB31CK-104X	C CAPACITOR	0.1uF 16V K		C508	NDC31HJ-330X	C CAPACITOR	33pF 50V J	
C104	NCB31CK-104X	C CAPACITOR	0.1uF 16V K		C509	NDC31HJ-330X	C CAPACITOR	33pF 50V J	
C105	NEA70JM-476X	E CAPACITOR	47uF 6.3V M		C510	NDC31HJ-330X	C CAPACITOR	33pF 50V J	
C106	NBE20JM-226X	TA E CAPACITOR	22uF 6.3V M		C547	NCB31CK-104X	C CAPACITOR	0.1uF 16V K	
C107	NCB31CK-104X	C CAPACITOR	0.1uF 16V K		C551	NCB31CK-104X	C CAPACITOR	0.1uF 16V K	
C108	NEA70JM-476X	E CAPACITOR	47uF 6.3V M		C552	NCB31CK-104X	C CAPACITOR	0.1uF 16V K	
C111	NCB31CK-104X	C CAPACITOR	0.1uF 16V K		C553	NBE20JM-226X	TA E CAPACITOR	22uF 6.3V M	
C204	NCB31CK-104X	C CAPACITOR	0.1uF 16V K		C554	NCB31CK-104X	C CAPACITOR	0.1uF 16V K	
C205	NCB31HK-271X	C CAPACITOR	270pF 50V K		C555	NCB31CK-104X	C CAPACITOR	0.1uF 16V K	
C206	NDC31HJ-151X	C CAPACITOR	150pF 50V J		C556	NCB31CK-104X	C CAPACITOR	0.1uF 16V K	
C208	NCB31HK-561X	C CAPACITOR	560pF 50V K		C557	NCF31AZ-105X	C CAPACITOR	1uF 10V Z	
C211	NCB31HK-223X	C CAPACITOR	0.022uF 50V K		C558	NCB31CK-104X	C CAPACITOR	0.1uF 16V K	
C212	NCB31CK-103X	C CAPACITOR	0.01uF 16V K		C559	NCB31CK-104X	C CAPACITOR	0.1uF 16V K	
C217	NCB31CK-104X	C CAPACITOR	0.1uF 16V K		C701	NCB31CK-104X	C CAPACITOR	0.1uF 16V K	
C251	NCB31AK-474X	C CAPACITOR	0.47uF 10V K		C704	NEA70JM-227X	E CAPACITOR	220uF 6.3V M	
C253	NCB31HK-561X	C CAPACITOR	560pF 50V K		C706	NEA71CM-106X	E CAPACITOR	10uF 16V M	
C255	NCB31CK-153X	C CAPACITOR	0.015uF 16V K		C707	NCB31CK-104X	C CAPACITOR	0.1uF 16V K	
C256	NCB31CK-104X	C CAPACITOR	0.1uF 16V K		C721	NCB31HK-102X	C CAPACITOR	1000pF 50V K	
C257	NCB31HK-822X	C CAPACITOR	8200pF 50V K		C902	NCB31CK-104X	C CAPACITOR	0.1uF 16V K	
C258	NCB31CK-153X	C CAPACITOR	0.015uF 16V K		C903	NCB31CK-104X	C CAPACITOR	0.1uF 16V K	
C259	NCB31CK-153X	C CAPACITOR	0.015uF 16V K		C904	NCB31CK-104X	C CAPACITOR	0.1uF 16V K	
C260	NCB31EK-223X	C CAPACITOR	0.022uF 25V K		C906	NCB31CK-104X	C CAPACITOR	0.1uF 16V K	
C261	NCB31EK-223X	C CAPACITOR	0.022uF 25V K		R101	NRSA63J-101X	MG RESISTOR	100Ω 1/16W J	
C262	NCB31EK-223X	C CAPACITOR	0.022uF 25V K		R102	NRSA63J-101X	MG RESISTOR	100Ω 1/16W J	
C264	NEA70JM-227X	E CAPACITOR	220uF 6.3V M		R103	NRSA63J-243X	MG RESISTOR	24kΩ 1/16W J	
C301	NEA70GM-227X	E CAPACITOR	220uF 4V M		R104	NRSA63J-303X	MG RESISTOR	30kΩ 1/16W J	
C302	NEA70GM-476X	E CAPACITOR	47uF 4V M		R105	NRS125J-180X	MG RESISTOR	18Ω 1/2W J	
C303	NEA70GM-476X	E CAPACITOR	47uF 4V M		R106	NRSA63J-2R2X	MG RESISTOR	2.2Ω 1/16W J	
C304	NCB31CK-105X	C CAPACITOR	1uF 16V K		R107	NRSA63J-102X	MG RESISTOR	1kΩ 1/16W J	
C305	NCB31CK-104X	C CAPACITOR	0.1uF 16V K		R108	NRSA63J-471X	MG RESISTOR	470Ω 1/16W J	
C306	NCB31CK-104X	C CAPACITOR	0.1uF 16V K		R109	NRSA63J-331X	MG RESISTOR	330Ω 1/16W J	
C307	NCB31CK-104X	C CAPACITOR	0.1uF 16V K		R110	NRSA63J-0R0X	MG RESISTOR	0Ω 1/16W J	
C308	NCB31CK-104X	C CAPACITOR	0.1uF 16V K		R111	NRSA63J-243X	MG RESISTOR	24kΩ 1/16W J	
C309	NCB31CK-104X	C CAPACITOR	0.1uF 16V K		R112	NRSA63J-303X	MG RESISTOR	30kΩ 1/16W J	
C310	NCB31CK-104X	C CAPACITOR	0.1uF 16V K		R113	NRS125J-270X	MG RESISTOR	27Ω 1/2W J	
C311	NCB31CK-104X	C CAPACITOR	0.1uF 16V K		R114	NRSA63J-2R2X	MG RESISTOR	2.2Ω 1/16W J	
C312	NCB31CK-104X	C CAPACITOR	0.1uF 16V K		R115	NRSA63J-101X	MG RESISTOR	100Ω 1/16W J	
C313	NCB31CK-104X	C CAPACITOR	0.1uF 16V K		R116	NRSA63J-471X	MG RESISTOR	470Ω 1/16W J	
C314	NCB31CK-104X	C CAPACITOR	0.1uF 16V K		R117	NRSA63J-331X	MG RESISTOR	330Ω 1/16W J	
C315	NCB31CK-104X	C CAPACITOR	0.1uF 16V K		R118	NRSA63J-0R0X	MG RESISTOR	0Ω 1/16W J	
C316	NCB31CK-104X	C CAPACITOR	0.1uF 16V K		R119	NRSA63J-0R0X	MG RESISTOR	0Ω 1/16W J	
C317	NCB31CK-104X	C CAPACITOR	0.1uF 16V K		R120	NRSA63J-0R0X	MG RESISTOR	0Ω 1/16W J	
C318	NCB31CK-104X	C CAPACITOR	0.1uF 16V K		R122	NRSA63J-0R0X	MG RESISTOR	0Ω 1/16W J	
C319	NCB31CK-104X	C CAPACITOR	0.1uF 16V K		R123	NRSA63J-0R0X	MG RESISTOR	0Ω 1/16W J	
C320	NCB31CK-104X	C CAPACITOR	0.1uF 16V K		R125	NRS125J-1R0X	MG RESISTOR	1Ω 1/2W J	
C321	NCB31CK-104X	C CAPACITOR	0.1uF 16V K		R126	NRSA02J-101X	MG RESISTOR	100Ω 1/10W J	
C322	NCB31CK-104X	C CAPACITOR	0.1uF 16V K		R128	NRSA63J-0R0X	MG RESISTOR	0Ω 1/16W J	
C323	NCB31CK-104X	C CAPACITOR	0.1uF 16V K		R204	NRSA63J-273X	MG RESISTOR	27kΩ 1/16W J	
C324	NCB21CK-105X	C CAPACITOR	1uF 16V K		R205	NRSA63J-273X	MG RESISTOR	27kΩ 1/16W J	
C325	NDC31HJ-180X	C CAPACITOR	18pF 50V J		R206	NRSA63J-303X	MG RESISTOR	30kΩ 1/16W J	
C326	NDC31HJ-150X	C CAPACITOR	15pF 50V J		R207	NRSA63J-473X	MG RESISTOR	47kΩ 1/16W J	
C327	NCB31HK-103X	C CAPACITOR	0.01uF 50V K		R208	NRSA63J-223X	MG RESISTOR	22kΩ 1/16W J	
C330	NCB31CK-104X	C CAPACITOR	0.1uF 16V K		R213	NRSA63J-103X	MG RESISTOR	10kΩ 1/16W J	
C331	NCB31CK-333X	C CAPACITOR	0.033uF 16V K		R214	NRSA63J-103X	MG RESISTOR	10kΩ 1/16W J	
C332	NCB31CK-104X	C CAPACITOR	0.1uF 16V K		R215	NRSA63J-103X	MG RESISTOR	10kΩ 1/16W J	
C333	NCB31CK-104X	C CAPACITOR	0.1uF 16V K		R219	NRSA63J-183X	MG RESISTOR	18kΩ 1/16W J	
C334	NCB31CK-104X	C CAPACITOR	0.1uF 16V K		R220	NRSA63J-243X	MG RESISTOR	24kΩ 1/16W J	
C335	NCB31CK-104X	C CAPACITOR	0.1uF 16V K		R221	NRSA63J-682X	MG RESISTOR	6.8kΩ 1/16W J	
C337	NCB31CK-183X	C CAPACITOR	0.018uF 16V K		R251	NRS125J-R47X	MG RESISTOR	0.47Ω 1/2W J	
C338	NCB31HK-562X	C CAPACITOR	5600pF 50V K		R252	NRSA63J-2R2X	MG RESISTOR	2.2Ω 1/16W J	
C339	NCB31CK-104X	C CAPACITOR	0.1uF 16V K		R254	NRSA63J-203X	MG RESISTOR	20kΩ 1/16W J	
C340	NCB21CK-105X	C CAPACITOR	1uF 16V K		R255	NRSA63J-103X	MG RESISTOR	10kΩ 1/16W J	
C341	NCB30JK-105X	C CAPACITOR	1uF 6.3V K		R257	NRSA63J-0R0X	MG RESISTOR	0Ω 1/16W J	
C347	NCB31CK-104X	C CAPACITOR	0.1uF 16V K		R259	NRSA63J-103X	MG RESISTOR	10kΩ 1/16W J	
C348	NCB31CK-104X	C CAPACITOR	0.1uF 16V K		R302	NRSA63J-240X	MG RESISTOR	24Ω 1/16W J	
C349	NCB31CK-104X	C CAPACITOR	0.1uF 16V K		R303	NRSA63J-101X	MG RESISTOR	100Ω 1/16W J	
C350	NCB31CK-104X	C CAPACITOR	0.1uF 16V K		R306	NRSA63J-102X	MG RESISTOR	1kΩ 1/16W J	
C356	NCB21CK-105X	C CAPACITOR	1uF 16V K		R307	NRSA63J-102X	MG RESISTOR	1kΩ 1/16W J	
C359	NCB31CK-104X	C CAPACITOR	0.1uF 16V K		R308	NRSA63J-223X	MG RESISTOR	22kΩ 1/16W J	

△ Symbol No.	Part No.	Part Name	Description	Local
R309	NRSA63J-104X	MG RESISTOR	100kΩ 1/16W J	
R310	NRS125J-R47X	MG RESISTOR	0.47Ω 1/2W J	
R312	NRSA63J-0R0X	MG RESISTOR	0Ω 1/16W J	
R313	NRSA63J-0R0X	MG RESISTOR	0Ω 1/16W J	
R314	NRSA63J-0R0X	MG RESISTOR	0Ω 1/16W J	
R315	NRSA63J-0R0X	MG RESISTOR	0Ω 1/16W J	
R316	NRSA63J-0R0X	MG RESISTOR	0Ω 1/16W J	
R317	NRSA63J-0R0X	MG RESISTOR	0Ω 1/16W J	
R318	NRSA63J-333X	MG RESISTOR	33kΩ 1/16W J	
R319	NRSA63J-0R0X	MG RESISTOR	0Ω 1/16W J	
R320	NRSA63J-103X	MG RESISTOR	10kΩ 1/16W J	
R322	NRSA63J-473X	MG RESISTOR	47kΩ 1/16W J	
R325	NRSA63J-331X	MG RESISTOR	330Ω 1/16W J	
R326	NRSA63J-331X	MG RESISTOR	330Ω 1/16W J	
R333	NRSA63J-163X	MG RESISTOR	16kΩ 1/16W J	
R334	NRSA63J-151X	MG RESISTOR	150Ω 1/16W J	
R335	NRSA63J-151X	MG RESISTOR	150Ω 1/16W J	
R336	NRSA63J-151X	MG RESISTOR	150Ω 1/16W J	
R337	NRSA63J-151X	MG RESISTOR	150Ω 1/16W J	
R338	NRSA63J-0R0X	MG RESISTOR	0Ω 1/16W J	
R339	NRSA63J-0R0X	MG RESISTOR	0Ω 1/16W J	
R340	NRSA63D-303X	MG RESISTOR	30kΩ 1/16W D	
R341	NRSA63D-362X	MG RESISTOR	3.6kΩ 1/16W D	
R342	NRSA63D-222X	MG RESISTOR	2.2kΩ 1/16W D	
R343	NRSA63J-0R0X	MG RESISTOR	0Ω 1/16W J	
R344	NRSA63J-6R8X	MG RESISTOR	6.8Ω 1/16W J	
R345	NRSA63J-221X	MG RESISTOR	220Ω 1/16W J	
R351	NRSA63J-681X	MG RESISTOR	680Ω 1/16W J	
R352	NRSA63J-105X	MG RESISTOR	1MΩ 1/16W J	
R357	NRSA63J-101X	MG RESISTOR	100Ω 1/16W J	
R358	NRSA63J-101X	MG RESISTOR	100Ω 1/16W J	
R361	NRSA63J-101X	MG RESISTOR	100Ω 1/16W J	
R362	NRSA63J-331X	MG RESISTOR	330Ω 1/16W J	
R363	NRSA63J-151X	MG RESISTOR	150Ω 1/16W J	
R372	NRSA63J-102X	MG RESISTOR	1kΩ 1/16W J	
R373	NRSA63J-102X	MG RESISTOR	1kΩ 1/16W J	
R378	NRSA63J-102X	MG RESISTOR	1kΩ 1/16W J	
R379	NRSA63J-102X	MG RESISTOR	1kΩ 1/16W J	
R384	NRSA63J-102X	MG RESISTOR	1kΩ 1/16W J	
R385	NRSA63J-102X	MG RESISTOR	1kΩ 1/16W J	
R390	NRSA63J-472X	MG RESISTOR	4.7kΩ 1/16W J	
R391	NAD0025-103X	N THERMISTOR	10kΩ	
R392	NRSA63J-103X	MG RESISTOR	10kΩ 1/16W J	
R393	NRSA63J-0R0X	MG RESISTOR	0Ω 1/16W J	
R394	NRSA63J-0R0X	MG RESISTOR	0Ω 1/16W J	
R395	NRSA02J-0R0X	MG RESISTOR	0Ω 1/10W J	
R457	NRSA63J-0R0X	MG RESISTOR	0Ω 1/16W J	
R458	NRSA63J-102X	MG RESISTOR	1kΩ 1/16W J	
R501	NRSA63J-471X	MG RESISTOR	470Ω 1/16W J	
R502	NRSA63J-471X	MG RESISTOR	470Ω 1/16W J	
R503	NRSA63J-101X	MG RESISTOR	100Ω 1/16W J	
R551	NRSA63J-102X	MG RESISTOR	1kΩ 1/16W J	
R553	NQR0129-002X	FERRITE BEADS		
R554	NQR0129-002X	FERRITE BEADS		
R555	NQR0129-002X	FERRITE BEADS		
R556	NQR0129-002X	FERRITE BEADS		
R557	NQR0129-002X	FERRITE BEADS		
R558	NRSA63J-102X	MG RESISTOR	1kΩ 1/16W J	
R701	NRSA63J-100X	MG RESISTOR	10Ω 1/16W J	
R702	NRSA63J-0R0X	MG RESISTOR	0Ω 1/16W J	
R710	NQR0129-002X	FERRITE BEADS		
R711	NRSA63J-101X	MG RESISTOR	100Ω 1/16W J	
R712	NRSA63J-101X	MG RESISTOR	100Ω 1/16W J	
R713	NRSA63J-101X	MG RESISTOR	100Ω 1/16W J	
R716	NRSA63J-0R0X	MG RESISTOR	0Ω 1/16W J	
R718	NRSA63J-473X	MG RESISTOR	47kΩ 1/16W J	
R719	NRSA63J-0R0X	MG RESISTOR	0Ω 1/16W J	
R909	NRSA02J-0R0X	MG RESISTOR	0Ω 1/10W J	
R911	NRSA02J-0R0X	MG RESISTOR	0Ω 1/10W J	
L501	NQL044K-100X	COIL	0.26Ω 10uH K	
CN101	QGF0523F1-24W	CONNECTOR	FFC/FPC (1-24)	
CN201	QGF1016F2-08W	CONNECTOR	FFC/FPC (1-8)	
CN501	QGF1016F2-19W	CONNECTOR	FFC/FPC (1-19)	
CN503	QGF1016F2-17W	CONNECTOR	FFC/FPC (1-17)	
K101	NRSA02J-0R0X	MG RESISTOR	0Ω 1/10W J	
K102	NRSA02J-0R0X	MG RESISTOR	0Ω 1/10W J	

△ Symbol No.	Part No.	Part Name	Description	Local
K301	NQR0354-001X	FERRITE BEADS		
K302	NRSA63J-101X	MG RESISTOR	100Ω 1/16W J	
K303	NRSA63J-101X	MG RESISTOR	100Ω 1/16W J	
K304	NQR0502-001X	FERRITE BEADS		
K501	NQR0129-002X	FERRITE BEADS		
K551	NQR0129-002X	FERRITE BEADS		
K552	NQR0129-002X	FERRITE BEADS		
K553	NQR0129-002X	FERRITE BEADS		
K554	NQR0129-002X	FERRITE BEADS		
K555	NQR0022-005X	FERRITE BEADS		
K556	NQR0129-002X	FERRITE BEADS		
X351	NAX0550-001X	CRYSTAL	27.000MHz	

## DVD loading switch board

Block No. [0][5]

△ Symbol No.	Part No.	Part Name	Description	Local
CN1	QGF1016F3-05	CONNECTOR	FFC/FPC (1-5)	
S1	QSW1007-001	DETECT SWITCH		

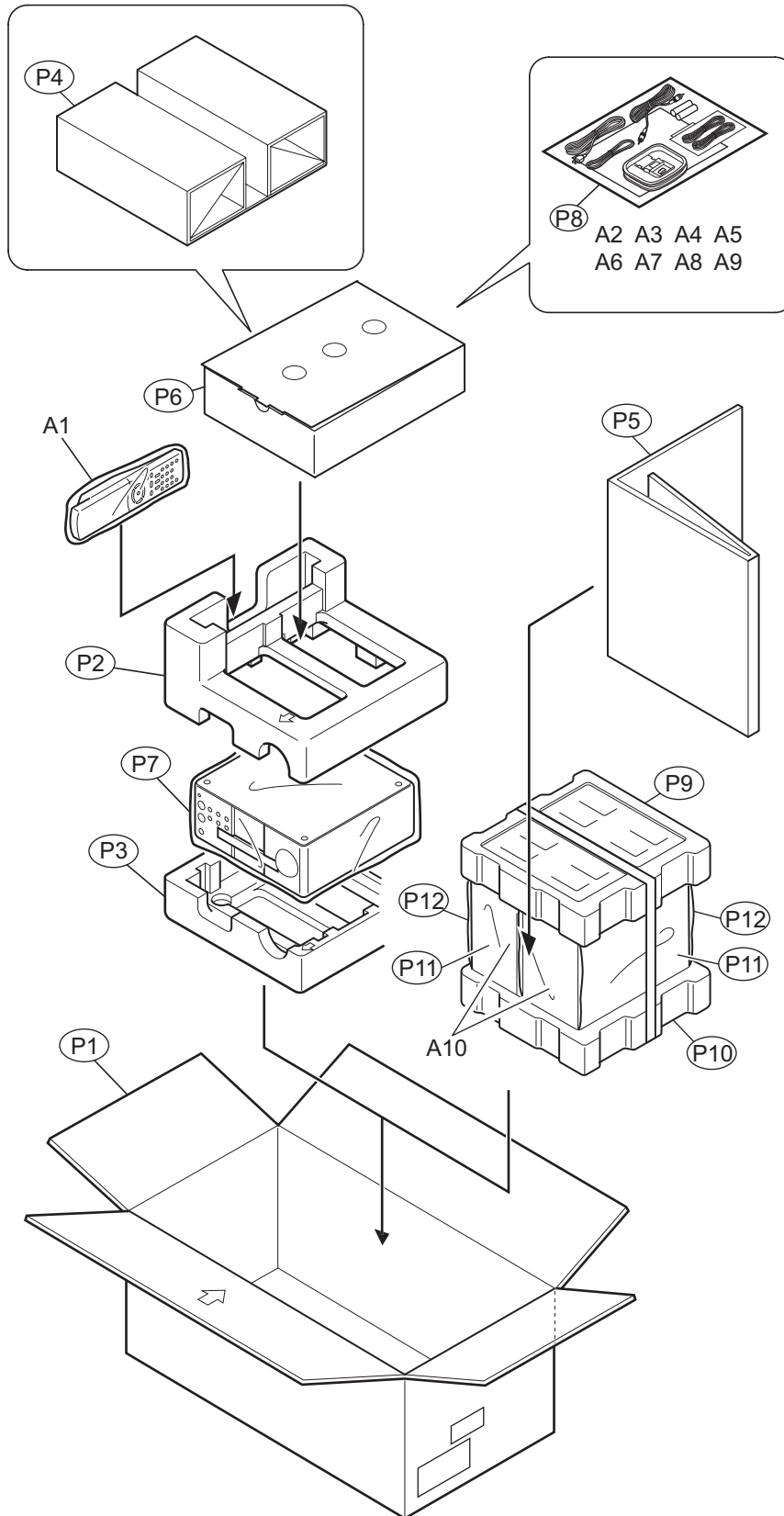


**<MEMO>**

# Packing materials and accessories parts list

Block No. **M** **3** **M** **M**

No additional / supplemental order of WARRANTY CARDS are available



# Packing and Accessories

Block No. [M][3][M][M]

△	Symbol No.	Part No.	Part Name	Description	Local
	A 1	RM-SEEXA5R	REMOCON UNIT		
	A 2	-----	BATTERY	(x2)	
	A 3	LVT1286-003A	INST BOOK	ENG	A5MK2B
	A 3	LVT1286-004A	INST BOOK	GER FRE DUT	A5MK2E
	A 3	LVT1286-007A	INST BOOK	RUS	A5MK2EE
	A 3	LVT1286-005A	INST BOOK	GER FRE SPA ITA SWE FIN DAN	A5MK2EN
	A 3	LVT1286-006A	INST BOOK	CZE POL HUN	A5MK2EV
	A 4	QAL0457-001	ANT.WIRE		
	A 5	QAL0476-001	AM LOOP ANT		
	A 6	-----	WARRANTY CARD	BT-54026-1	
	A 7	VNA3000-204	REGISTER CARD		A5MK2B
△	A 8	QMPP060-183-JD	POWER CORD(EK)	1.83m BLACK	A5MK2B
	A 8	QMPL150-183-JC	POWER CORD(EK)	1.83m BLACK	A5MK2E,A5MK2EE,A5MK2EN,A5MK2EV
	A 9	QAM0530-001	SPEAKER CORD		
	A 10	AB100054-02	SPK WITH BOX	(x2)	
	P 1	LV34466-022A	CARTON		A5MK2EE
	P 1	LV34466-021A	CARTON		A5MK2B,A5MK2E,A5MK2EN,A5MK2EV
	P 2	LV10846-001A	CUSHION TOP		
	P 3	LV10847-001A	CUSHION BOTTOM		
	P 4	LV21816-001A	CARTON SPACER A		
	P 5	LV21817-001A	CARTON SPACER B		
	P 6	LV21595-001A	CARTON SPACER		
	P 7	QPC03505015P	POLY BAG	35cm x 50cm	
	P 8	QPA02503505P	POLY BAG	25cm x 35cm	
	P 9	8000056401	TOP CUSHION		
	P 10	8000056411	BOTTOM CUSHION		
	P 11	8500048071	MIRROR SHEET		
	P 12	8500055701	POLY BAG		